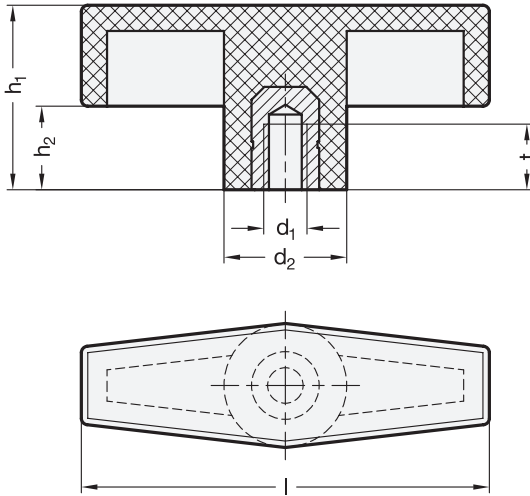


Inch



Inch table

Dimensions in: inches / millimeters

Length l	d₁		Steel	d₂	h₁	h₂	t
	Brass						
2.50 63.5	1/4 x 20	5/16 x 18	-	0.75 19.1	1.13 28.7	0.50 12.7	0.50 12.7
3.50 88.9	3/8 x 16	-	-	0.94 23.9	1.13 28.7	0.50 12.7	0.50 12.7
3.50 88.9	-	-	1/2 x 13	0.94 23.9	1.13 28.7	0.30 7.6	0.88 22.4

Specification

Handle

- Plastic, polypropylene (PP)
- Operating temperature up to 125 °F (52 °C)
- Black, matte finish

Tapped insert

- Brass **MS**
- Steel, zinc plated **ST**

RoHS

On request

- Special stud assemblies (glued into place)

The wide surface area of T-bar knobs TH allow for positive low profile clamping.

Technical Information

Plastic Characteristics

Page

QVX

How to order

TH-2.50-5/16X18-MS

- 1** Handle length **l**
- 2** Thread **d₁**
- 3** Material

1.1
1.2
1.3
1.4
2.1
2.2
2.3
2.4

