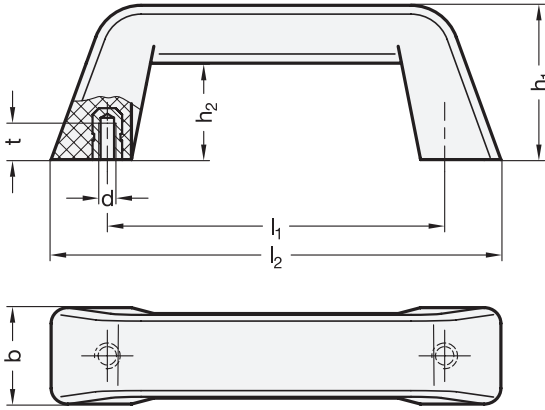


Metric



Metric table

Dimensions in: millimeters / inches						
<b>1</b> b	<b>2</b> d	<b>3</b> l <sub>1</sub>	h <sub>1</sub>	h <sub>2</sub>	l <sub>2</sub>	t
30 1.18	M 6	105 4.13	48 1.89	30 1.18	140 5.51	13 0.51
30 1.18	M 6	110 4.33	48 1.89	30 1.18	140 5.51	9 0.35
30 1.18	M 8	117 4.61	48 1.89	30 1.18	140 5.51	15 0.59
30 1.18	M 6	120 4.72	48 1.89	30 1.18	140 5.51	9 0.35
30 1.18	M 8	120 4.72	48 1.89	30 1.18	140 5.51	9 0.35
36 1.42	M 8	132 5.20	56 2.20	36 1.42	160 6.30	15 0.59
36 1.42	M 10	132 5.20	56 2.20	36 1.42	160 6.30	16 0.63

Specification

Handle

Plastic, Phenolic (PF)

- Black
- Operating temperatur up to 266 °F (130 °C)

Tapped Inserts

Brass

RoHS

On request

- For certain minimum quantities, inserts in steel or stainless steel
- Various metric size fasteners and kit packaging

Cabinet U-handles MS have a robust shape and are an excellent choice for applications requiring higher temperature resistance.

see also...

	Page
MT Cabinet U-Handles	QVX
GN 565 Cabinet U-Handles	QVX

Technical Information

Plastic Characteristics	QVX
-------------------------	-----

How to order

**MS-30-M8-120**

<b>1</b>	Handle width b
<b>2</b>	Thread d
<b>3</b>	Length l <sub>1</sub>

1.1  
1.2  
1.3  
1.4  
2.1  
2.2  
2.3  
2.4

