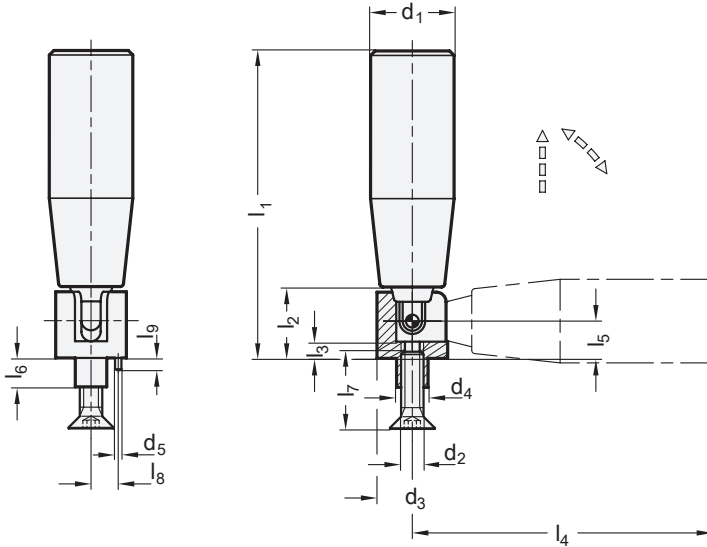


Inch | Metric



Inch table

1 2

Dimensions in: inches / millimeters

d ₁	d ₂	d ₃	d ₄	d ₅	l ₁	l ₂	l ₃	l ₄	l ₅	l ₆	l ₇	l ₈	l ₉
1.10 27.9	1/4 x 20	0.83 21.1	0.31 7.9	0.10 2.5	4.13 104.9	0.79 20.1	0.20 5.1	3.72 94.5	0.39 9.9	0.39 9.9	0.87 22.1	0.30 7.6	0.16 4.1

Metric table

1 2

Dimensions in: millimeters / inches

d ₁	d ₂	d ₃	d ₄	d ₅	l ₁	l ₂	l ₃	l ₄	l ₅	l ₆	l ₇	l ₈	l ₉
21 0.83	M 5	17 0.67	7 0.28	2.5 0.10	66.5 2.62	16.5 0.65	4 0.16	58.5 2.30	8.5 0.33	8 0.31	14 0.55	6.3 0.25	4 0.16
23 0.91	M 5	17 0.67	7 0.28	2.5 0.10	71.5 2.81	16.5 0.65	4 0.16	63.5 2.50	8.5 0.33	8 0.31	18 0.71	6.3 0.25	4 0.16
25 0.98	M 6	19 0.75	8 0.31	2.5 0.10	81.5 3.21	16.5 0.65	4 0.16	73.5 2.89	8.5 0.33	8 0.31	18 0.71	7.5 0.30	4 0.16
28 1.10	M 6	21 0.83	8 0.31	2.5 0.10	105 4.13	20 0.79	5 0.20	94.5 3.72	10 0.39	10 0.39	22 0.87	7.5 0.30	4 0.16

Specification

Handle

- Plastic, Phenolic (PF)
- Operating temperature up to 266 °F (130 °C)
- Black, shiny finish
- Revolving

Retractable mechanism

- Hub
- Steel, chrome plated
- Stem
- Steel, zinc plated

RoHS

On request

- For certain minimum quantities, other handle colors

MGR retractable handles are suitable when the handle must be withdrawn during automatic operation.

The handle is pulled out of its tapered seat in the direction of the arrow and then tilted. A compression spring locks the handle in both end positions. A positive lock is achieved in the operating position by way of a tapered seat located in the hub of the mechanism.

When mounting the retracting mechanism to its mating surface, the securing pin gives the retractable handle more torque stability.

see also...	Page
PGR Retractable Handles (Nylon Plastic)	QVX
MRS Retractable Handles (Nylon Plastic, Handle Retracts in Both Directions)	QVX

Technical Information

Plastic Characteristics	QVX
-------------------------	-----

How to order	
1	Handle diameter d ₁
2	Thread d ₂

MGR-1.10-1/4X20