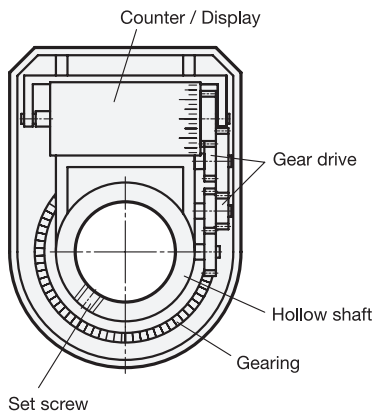


Operating principle

The digital position indicator is equipped with a hollow shaft that is slid directly onto the spindle and is connected to the spindle by a set screw. The spindle rotations are transmitted to a counter directly by a gearbox. For torque support, a pin of the housing projects into a hole made on the machine side, establishing the position relative to the mounting site.



The transmission ratio and counting direction of the counter are determined by the pitch of the adjusting spindle. The indicated value after one turn starting from the 0 position serves as a characteristic value. Decimal places are indicated in red.

Position indicators are also suitable for motor-driven spindles up to a certain maximum speed.

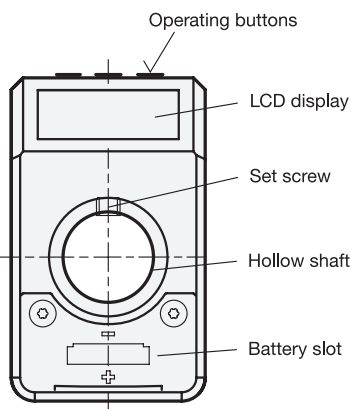
Operating principle

EN 9053 / EN 9054 / EN 9153 electronic position indicators are very similar to EN 953 / EN 954 / EN 955 mechanical position indicators with regard to installation and external dimensions and can normally replace them.

The protection class IP 65 or IP 67 of the housing permits use in wet areas, even in contact with direct streams of water.

The measurement of the spindle rotations takes place directly, electronically and without contact. The required energy is supplied by a lithium battery with a lifespan of 5 or 8 years that can be easily replaced.

The special advantage of the electronic position indicator lies in its programmability. Nearly any desired counting option can be configured directly on the device using the function buttons.



With 3 or 4 function buttons, it is possible to:

- Switch between incremental and absolute measurement modes
- Change the unit of measurement (mm, inches or degrees)
- Reset the counter or set an offset value
- Change the display after one rotation of the shaft and set the resolution, in other words, the number of decimal places displayed
- Set the direction of rotation / counting direction
- Adjustment for the display orientation (depending on the installation situation) and the maximum rotation speed