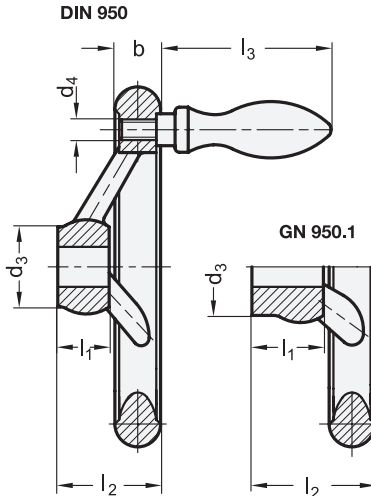
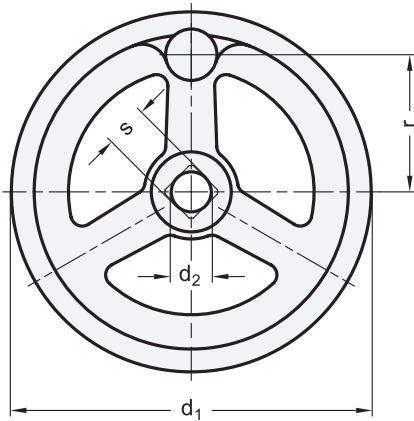


Inch | Metric



- 3 Bore code**
B Without keyway
K With keyway
V With square (only DIN 950)
- 5 Type**
A Without handle
F With fixed handle (only DIN 950)
D With revolving handle

Specification

Cast iron **GG**
 • Contact face of hub machined
 • Rim turned and highly polished finish
 Radial and axial runout of the rim < 0.4 mm
 • Handles DIN 39 / DIN 98
 Steel, zinc plated, blue passivated finish

Aluminum (only DIN 950) **AL**
 • Contact face of hub machined
 • Rim turned and highly polished finish
 Radial and axial runout of the rim < 0.4 mm
 • Unmachined, matte shot-blasted finish
 • Fixed handle DIN 39
 Steel, zinc plated, blue passivated finish
 • Revolving handle DIN 98
 Plastic, Polyamide (PA), black
 Spindle steel, zinc plated, blue passivated finish

RoHS

On request

- Other modifications such as special inch or metric bores, keyways, square bores, set screw holes, etc.

Spoked handwheels DIN 950 / GN 950.1 are available in types F and D with fixed or revolving handle.

Spoked handwheels GN 950.1 have extended hubs with larger diameters, allowing for larger bores and an increased distance between the wheel rim and the fastening surface.

see also...	Page
GN 950.6 Three Spoked Handwheels (Stainless Steel)	QVX

Technical Information

Keyways WN 6885 / DIN 6885-1	QVX
Square Bores WN 79	QVX
ISO Fundamental Tolerances	QVX
Cross Holes GN 110	QVX

Accessory

GN 184 Countersunk Washers (for Axial Fixing)	QVX
--	-----

How to order (Inch)

DIN 950-AL-80-B1/2-A

1	Material
2	Handwheel diameter d_1
3	Bore code
4	Bore diameter d_2
5	Type

How to order (Metric, with large hub)

GN 950.1-GG-125-K14-A

1	Material
2	Handwheel diameter d_1
3	Bore code
4	Bore diameter d_2
5	Type

1.1
1.2
1.3
1.4
2.1
2.2
2.3
2.4



Inch table



Dimensions in: inches / millimeters

d ₁	d ₂ H7 Bore DIN 950			d ₃ ≈	d ₄ Thread	b	l ₁		l ₂ ≈		l ₃ ≈		r	Ø Handle	No. of spokes
	Type D	Type F	Type D				Type F								
3.15 80	1/2	-	-	0.94 24	M 6	0.55 14	0.63 16	1.14 29	2.09 53	1.91 48.5	1.06 27	0.63 16	3		
3.94 100	1/2	-	-	1.02 26	M 6	0.59 15	0.67 17	1.30 33	2.09 53	1.91 48.5	1.42 36	0.63 16	3		
4.92 125	1/2	-	-	1.10 28	M 8	0.63 16	0.71 18	1.42 36	2.56 65	2.44 62	1.85 47	0.79 20	3		
5.51 140	5/8	-	-	1.18 30	M 8	0.67 17	0.75 19	1.54 39	2.56 65	2.44 62	2.05 52	0.79 20	3		
6.30 160	1/2	5/8	-	1.30 33	M 10	0.71 18	0.79 20	1.57 40	3.15 80	3.03 77	2.44 62	0.98 25	3		
7.87 200	3/4	-	-	1.50 38	M 10	0.87 22	0.94 24	1.77 45	3.15 80	3.03 77	3.15 80	0.98 25	3		
9.84 250	7/8	-	-	1.89 48	M 12	1.02 26	1.10 28	1.97 50	4.02 102	3.80 96.5	3.98 101	1.26 32	5		

Metric table



Dimensions in: millimeters / inches

d ₁	d ₂ H7 Bore				s H11 Square	d ₃ ≈		d ₄ Thread	b	l ₁		l ₂ ≈		l ₃ ≈		r	Ø Handle	No. of spokes
	DIN 950	GN 950.1	DIN 950	GN 950.1		DIN 950	GN 950.1			DIN 950	GN 950.1	DIN 950	GN 950.1	Type D	Type F			
80 3.15	10	12	-	-	V 9	24 0.94	-	M 6	14 0.55	16 0.63	-	29 1.14	-	53 2.09	1.91 48.5	27 1.06	16 0.63	3
100 3.94	10	12	-	-	V 9	26 1.02	-	M 6	15 0.59	17 0.67	-	33 1.30	-	53 2.09	1.91 48.5	36 1.42	16 0.63	3
125 4.92	12	14	-	14	V 11	28 1.10	34 1.34	M 8	16 0.63	18 0.71	26 1.02	36 1.42	45 1.77	65 2.56	62 2.44	47 1.85	20 0.79	3
140 5.51	14	16	-	-	-	30 1.18	-	M 8	17 0.67	19 0.75	-	39 1.54	-	65 2.56	62 2.44	52 2.05	20 0.79	3
160 6.30	12	14	15	16	V 12	33 1.30	45 1.77	M 10	18 0.71	20 0.79	32 1.26	40 1.57	52 2.05	80 3.15	77 3.03	62 2.44	25 0.98	3
180 7.09	16	18	-	-	-	35 1.38	-	M 10	20 0.79	22 0.87	-	43 1.69	-	80 3.15	77 3.03	72 2.83	25 0.98	3
200 7.87	18	20	22	20	V 14	38 1.50	50 1.97	M 10	22 0.87	24 0.94	38 1.50	45 1.77	59 2.32	80 3.15	77 3.03	80 3.15	25 0.98	3
250 9.84	22	24	26	24	V 17	48 1.89	56 2.20	M 12	26 1.02	28 1.10	44 1.73	50 1.97	66 2.60	102 4.02	96.5 3.80	101 3.98	32 1.26	5
315 12.40	26	28	30	-	V 19	53 2.09	-	M 12	28 1.10	33 1.30	-	56 2.20	-	102 4.02	96.5 3.80	132 5.20	32 1.26	5
400 15.75	30	32	34	-	V 24	65 2.56	-	M 12	32 1.26	38 1.50	-	63 2.48	-	102 4.02	96.5 3.80	171 6.73	32 1.26	5
500 19.69	34	36	40	-	V 27	78 3.07	-	M 12	34 1.34	45 1.77	-	72 2.83	-	102 4.02	96.5 3.80	220 8.66	32 1.26	5