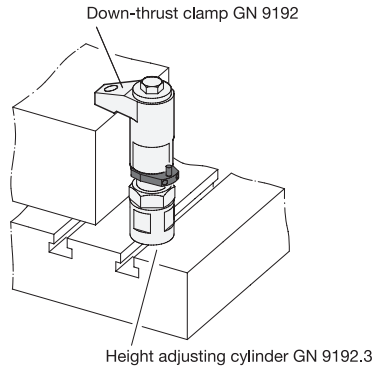
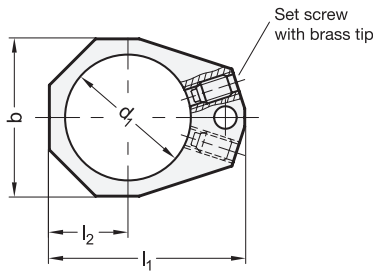


Metric



Application example



Metric table

Dimensions in: millimeters / inches

d₀ Down-thrust clamp Ø GN 9192	d₁	h₁	b	d₂	h₂	l₁	l₂
40 1.57	28 1.10	7 0.28	35 1.38	5 0.20	16 0.63	43.5 1.71	17.5 0.69

Specification

Positioning ring

Steel, blackened finish

Set screws

- Steel
- Blackened finish
- Brass tip

RoHS

Positioning ring GN 9192.2 limits the swiveling range of down-thrust clamps GN 9192 to 110° left or right via a positioning pin. The position of the ring can be adjusted to ensure that the clamping position is reached reliably when the clamp swivels against the positioning pin.

The positioning ring is secured with two set screws. The stroke of the down-thrust clamp is reduced by the height h_1 of the positioning ring.

see also...	Page
GN 9192 Down-Thrust Clamps	QVX
GN 9192.3 Height Adjusting Cylinders	QVX

How to order

GN9192.2-28-7

- 1 Diameter d_1
- 2 Height h_1

1.1
1.2
1.3
1.4
2.1
2.2
2.3
2.4

