

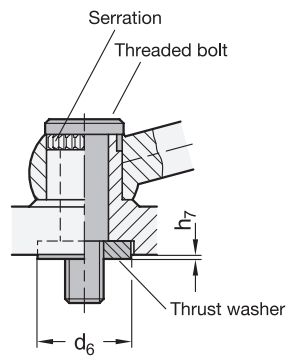
Drawn version: Type KV, clamping direction R by clockwise rotation

1.1
1.2
1.3
1.4
2.1
2.2
2.3
2.4

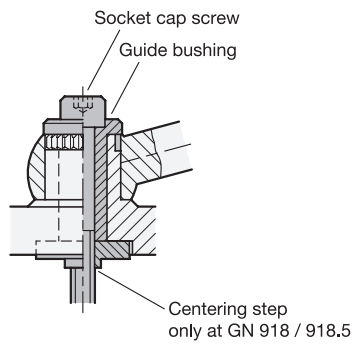


Technical Instructions

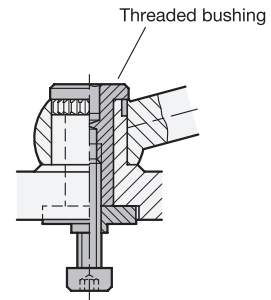
Type **GV / KV / SK**



Type **GVS / KVS / SKS**



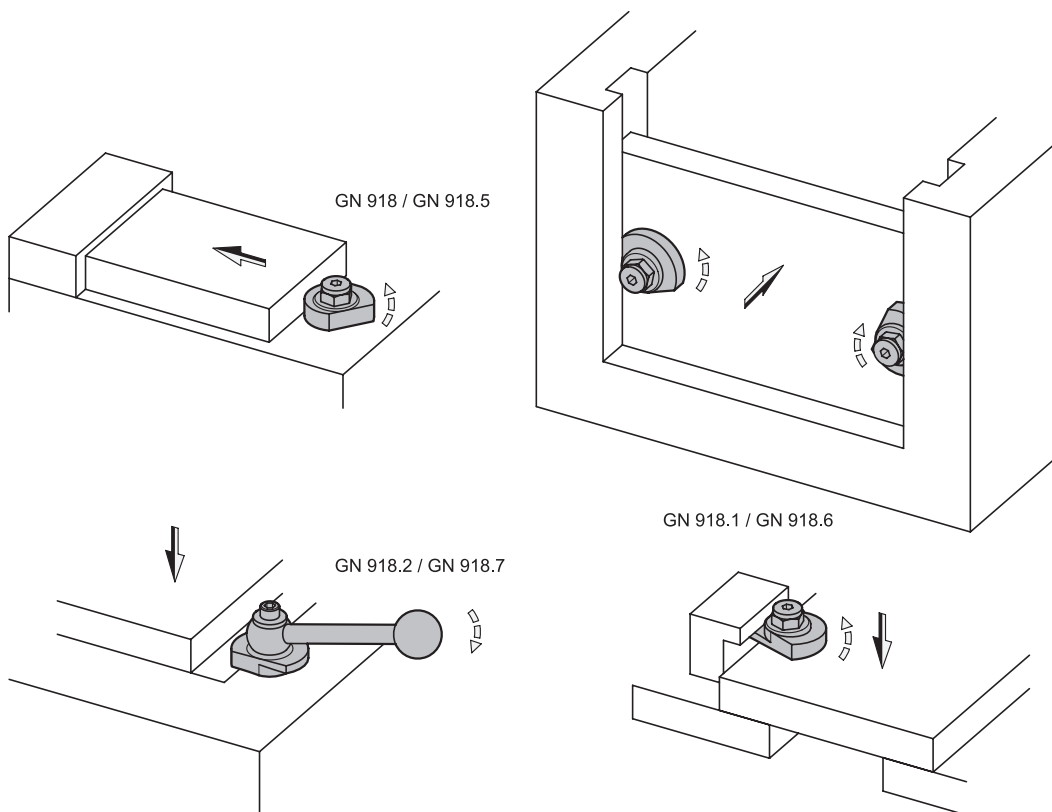
Type **GVB / KVB / SKB**

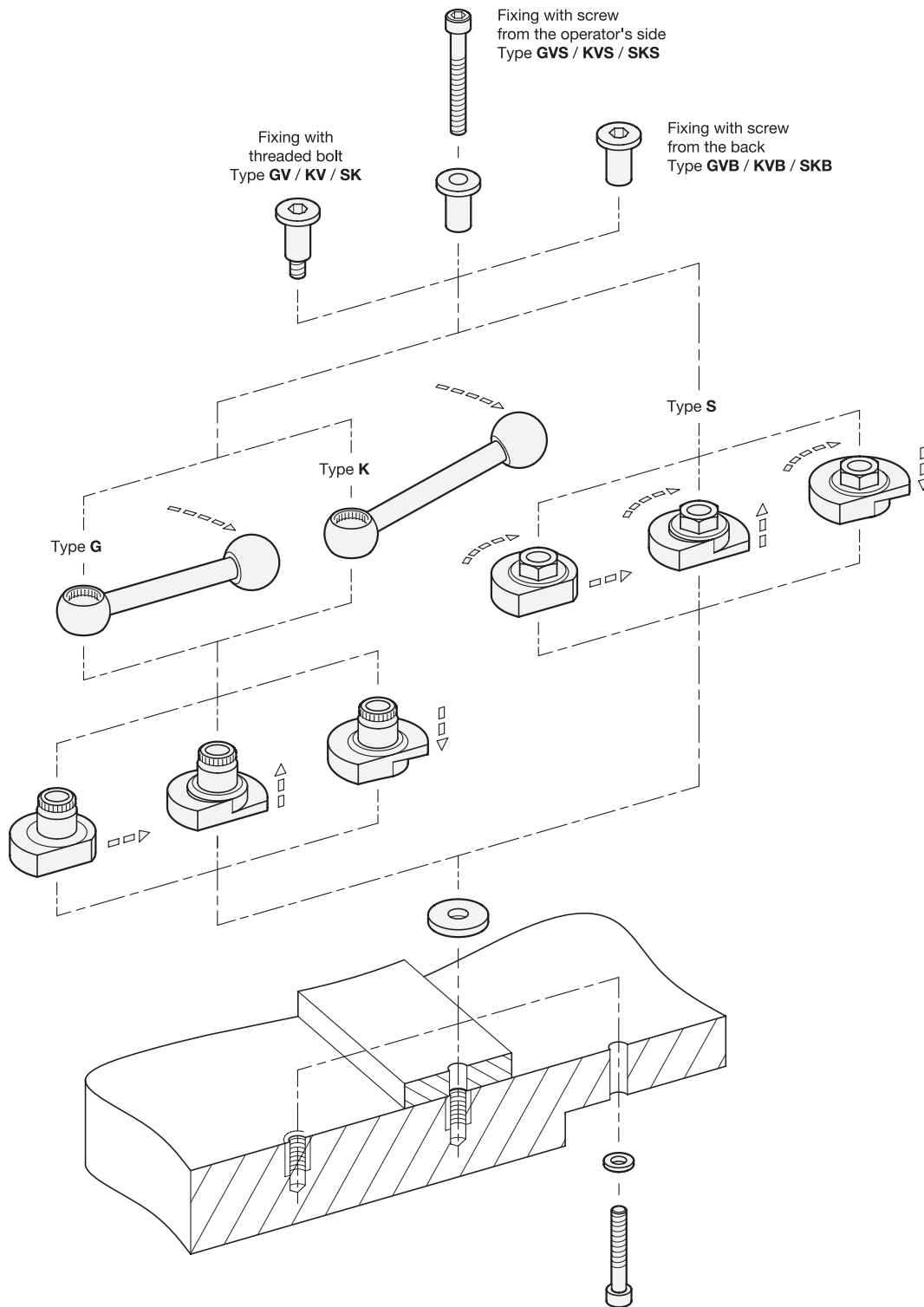


Dimensions in: millimeters - inches

d_1	d_6	$h_7 \approx$
40 1.57	20 0.79	0.2 0.008
50 1.97	24 0.94	0.2 0.008

Application Examples





1.1
1.2
1.3
1.4
2.1
2.2
2.3
2.4