

- 4 Identification no.**
- 1 Without adjustable lever
  - 2 With adjustable lever

**Metric table**

Dimensions in: millimeters - inches

b	Length $l_1$ - Stroke $l_2$				$d_1$	$d_2$	$d_3$	$d_4$	$d_5$	$h_1$	$h_2$	$h_3$	$h_4$
	$l_1 - l_2$	$l_1 - l_2$	$l_1 - l_2$	$l_1 - l_2$									
30 1.18	50-5	55-10	60-15	65-20	M 4 x 0.5	M 3	14 0.55	-	-	9.3 0.37	16 0.63	17 0.67	4 0.16
50 1.97	95-25	120-50	145-75	170-100	M 6 x 1	M 4	17 0.67	50 1.97	22 0.87	13 0.51	22.5 0.89	23 0.91	7 0.28
80 3.15	145-25	170-50	195-75	220-100	M 8 x 1	M 5	22 0.87	80 3.15	22 0.87	20.5 0.81	35.5 1.40	36 1.42	10 0.39
120 4.72	185-25	210-50	235-75	260-100	M10 x 1	M 5	34 1.34	100 3.94	34 1.34	26.3 1.04	45 1.77	46 1.81	13.8 0.54

b	$h_5$	$h_6$	$h_7$	$h_8$	$l_3$	$l_4$	$l_5$	$l_6$	$l_7$	$l_8$	$l_9$	$l_{10}$	$l_{11}$	$l_{12}$	$l_{13}$	s	t
30 1.18	3 0.12	33 1.30	-	-	45 1.77	4 0.16	6 0.24	20 0.79	-	-	-	-	-	28 1.10	22 0.87	16 0.63	1 0.04
50 1.97	4.5 0.18	47 1.85	29 1.14	18 0.71	70 2.76	6 0.24	12 0.47	20 0.79	22 0.87	52 2.05	24 0.94	33 1.30	57 2.24	36 1.42	30 1.18	30 1.18	1.5 0.06
80 3.15	10 0.39	51 2.01	37 1.46	10 0.39	120 4.72	8 0.31	16 0.63	24 0.94	31 1.22	55 2.17	27 1.06	33 1.30	66 2.60	25 0.98	30 1.18	50 1.97	2 0.08
120 4.72	10 0.39	57 2.24	45 1.77	5 0.20	160 6.30	10 0.39	18 0.71	34 1.34	46 1.81	69 2.72	41 1.61	33 1.30	81 3.19	25 0.98	30 1.18	80 3.15	2 0.08

**Specification**

- Slides / end plates  
Aluminum extrusion  
Anodized, natural color
- Guide shafts  
Stainless steel
- Drive
  - Spindle / ball bearing  
Stainless steel
  - Spindle nut  
Plastic
- Mounting screws  
Stainless steel
- Control knob / scale ring  
Aluminum, black anodized finish
- Solid Disk Handwheels EN 520.1 → page 242
- Digital Position Indicators EN 954 → page 374
- RoHS compliant

**Information**

GN 900 adjustable slide units can be combined to form various axis configurations.

A special clamping technique using mounting and connecting sets (GN 900.1, GN 900.2, GN 900.3) allows quick and easy assembly.

Fine adjustment with scale ring 0.05 mm;  
with digital position indicator 0.02 mm.

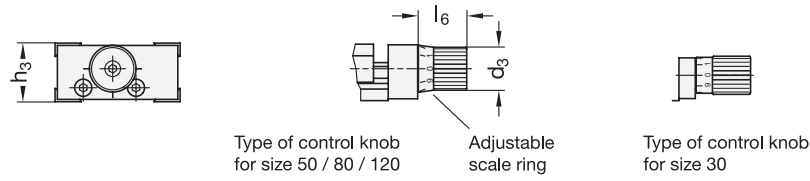
see also...

- Further Construction Features → page 1938

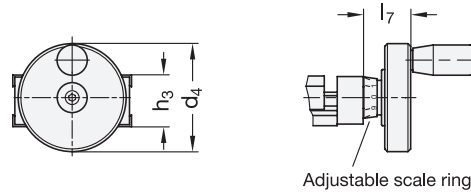
<b>How to order</b>	
1	Width b
2	Length $l_1$ - Stroke $l_2$
3	Type
4	Identification no.

**GN 900-80-170-50-D-1**

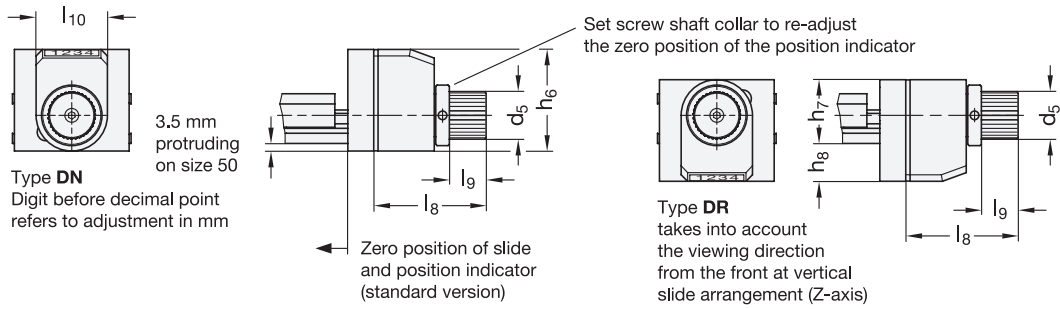
3 Type **D** with control knob



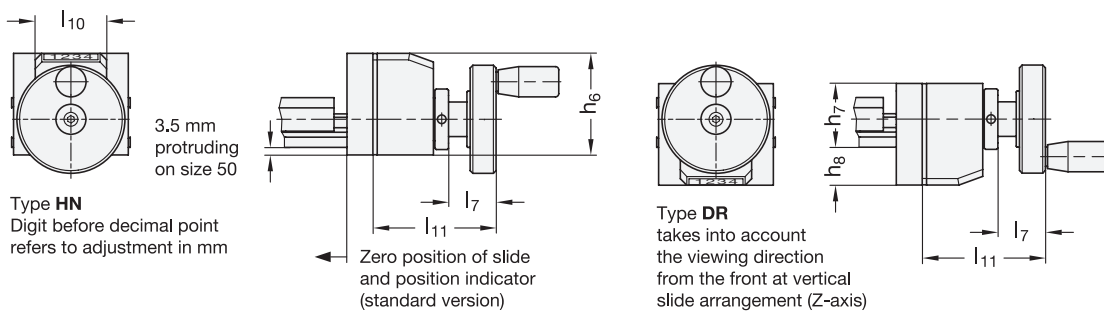
3 Type **H** with disk handwheel (from size 50 upwards)



3 Type **DN** / Type **DR** with control knob and digital position indicator EN 954 (from size 50 upwards)



3 Type **HN** / Type **HR** with disk handwheel and digital position indicator EN 954 (from size 50 upwards)



3 Type **S** without adjustable spindle and operating element (i. e. for attaching a pneumatic cylinder)



3.1  
3.2  
3.3  
3.4  
3.5  
3.6  
3.7  
3.8  
3.9  
3.10