

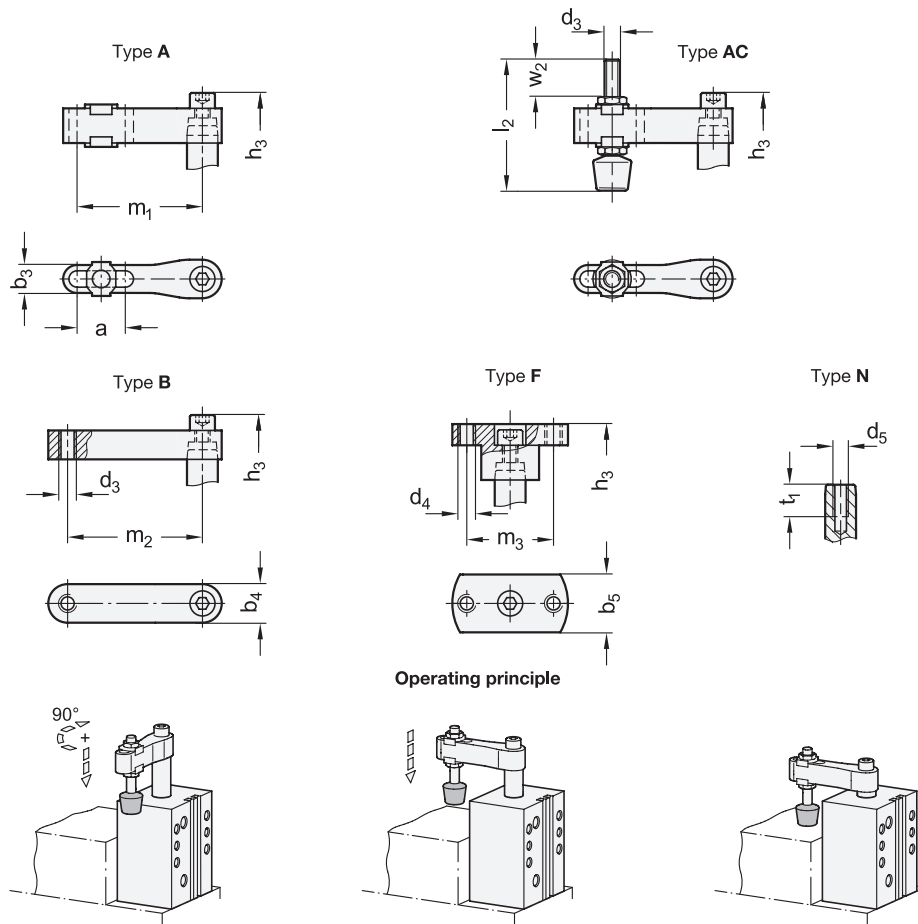
- 3 Coding**
- L Swiveling left
 - R Swiveling right
- 4 Type**
- A Clamping arm with slotted hole and two flanged washers
 - AC Clamping arm with slotted hole, with two flanged washers and GN 708.1 spindle assembly
 - B Clamping arm with threaded hole
 - F Adapter flange
 - N Without clamping arm

Metric table

1 **2** Dimensions in: millimeters - inches

Size (Piston Ø)	d ₁	F _S Clamping force at 6 bar	a	b ₁	b ₂	b ₃	b ₄	b ₅	d ₂ Supply port Thread	d ₃ Thread	d ₄ Thread	d ₅ Thread	h ₁	h ₂ ≈ Clamped
16	8 0.31	89 N 20.01 lbf	15 0.59	42 1.65	28 1.10	6.7 0.26	12.5 0.49	13 0.51	M 5	M 4	M 5	M 5	70 2.76	75 2.95
20	12 0.47	118 N 26.53 lbf	20 0.79	46 1.81	30 1.18	9.3 0.37	17 0.67	18 0.71	M 5	M 5	M 6	M 8	74 2.91	79 3.11
25	14 0.55	170 N 38.22 lbf	20 0.79	55 2.17	35 1.38	11.3 0.44	18 0.71	25 0.98	M 5	M 6	M 6	M 8	78 3.07	82 3.23
32	16 0.63	270 N 60.70 lbf	25 0.98	60 2.36	45 1.77	14.5 0.57	20 0.79	30 1.18	G 1/8	M 8	M 8	M 8	90 3.54	95 3.74
40	16 0.63	450 N 101 lbf	25 0.98	70 2.76	55 2.17	14.5 0.57	20 0.79	30 1.18	G 1/8	M 8	M 8	M 8	90 3.54	95 3.74
50	20 0.79	700 N 157 lbf	30 1.18	85 3.35	65 2.56	17.5 0.69	25 0.98	32 1.26	G 1/8	M 10	M 8	M 10	100 3.94	105 4.13
63	20 0.79	1100 N 247 lbf	30 1.18	100 3.94	80 3.15	17.5 0.69	25 0.98	32 1.26	G 1/8	M 10	M 8	M 10	100 3.94	105 4.13

Size (Piston Ø)	d ₁	h ₃ ≈ Unclamped			l ₁	l ₂	m ₁	m ₂	m ₃	t ₁ ≈	w ₁		w ₂	Max. tightening torque in Nm
		Type A, Type AC	Type B	Type F							Clamping stroke	Stroke		
16	8 0.31	107 4.21	107 4.21	106 4.17	11 0.43	43 1.69	41 1.61	41 1.61	22 0.87	12 0.47	8.5 0.33	17 0.67	8 0.31	6
20	12 0.47	127 5.00	126 4.96	126 4.96	13 0.51	45 1.77	48 1.89	48 1.89	30 1.18	14 0.55	15 0.59	27 1.06	15 0.59	9
25	14 0.55	135 5.31	129 5.08	134 5.28	15.5 0.61	55 2.17	50 1.97	50 1.97	38 1.50	14 0.55	14 0.55	27 1.06	18 0.71	9
32	16 0.63	153 6.02	147 5.79	154 6.06	20 0.79	68 2.68	65 2.56	60 2.36	45 1.77	16 0.63	14 0.55	30 1.18	21 0.83	18
40	16 0.63	153 6.02	150 5.91	154 6.06	24.5 0.96	68 2.68	65 2.56	70 2.76	45 1.77	16 0.63	15 0.59	30 1.18	21 0.83	18
50	20 0.79	172 6.77	165 6.50	167 6.57	31 1.22	77 3.03	85 3.35	80 3.15	48 1.89	16 0.63	15 0.59	32 1.26	19 0.75	35
63	20 0.79	170 6.69	165 6.50	165 6.50	38 1.50	77 3.03	85 3.35	90 3.54	48 1.89	16 0.63	15 0.59	30 1.18	19 0.75	35



Specification

- Aluminum
 - Hard anodized finish
 - Wear-resistant surface
- Double-action air cylinder
 - Max. pressure 6 bar
- Socket cap screw DIN 912
 - Steel, zinc plated, blue passivated finish
- Washer ISO 7092
 - Steel, zinc plated, blue passivated finish
- Spindle assembly GN 708.1, Type A
 - page 858
 - Steel, zinc plated
 - Rubber tip 85 Shore A
- ISO Fundamental Tolerances → page 2129
- RoHS compliant

Accessory

- Clamping arms GN 875.2 → page 884
- Clamping arms GN 875.3 → page 885
- Adapter flanges GN 875.4 → page 886
- Sensor GN 3380 → page 888
- Toggle clamp spindle assemblies GN 708.1 → page 858

Information

GN 875 pneumatic swing clamps are used when the clamping point for inserting and removing the workpiece must be freely accessible on top.

During the clamping action, the arm is first swiveled by 90° and lowered, followed by the linear tensioning motion. The workpiece clamping must take place within the clamping stroke.

The angle orientation of the tensioning arm can be set arbitrarily during mounting on the swing clamp. When tightening the screw, the piston rod must not experience any torque. The clamping arm must therefore be held to prevent twisting.

The pneumatic swing clamps are equipped with a magnetic ring piston and are therefore pre-fitted for end position detection via sensor.

see also...

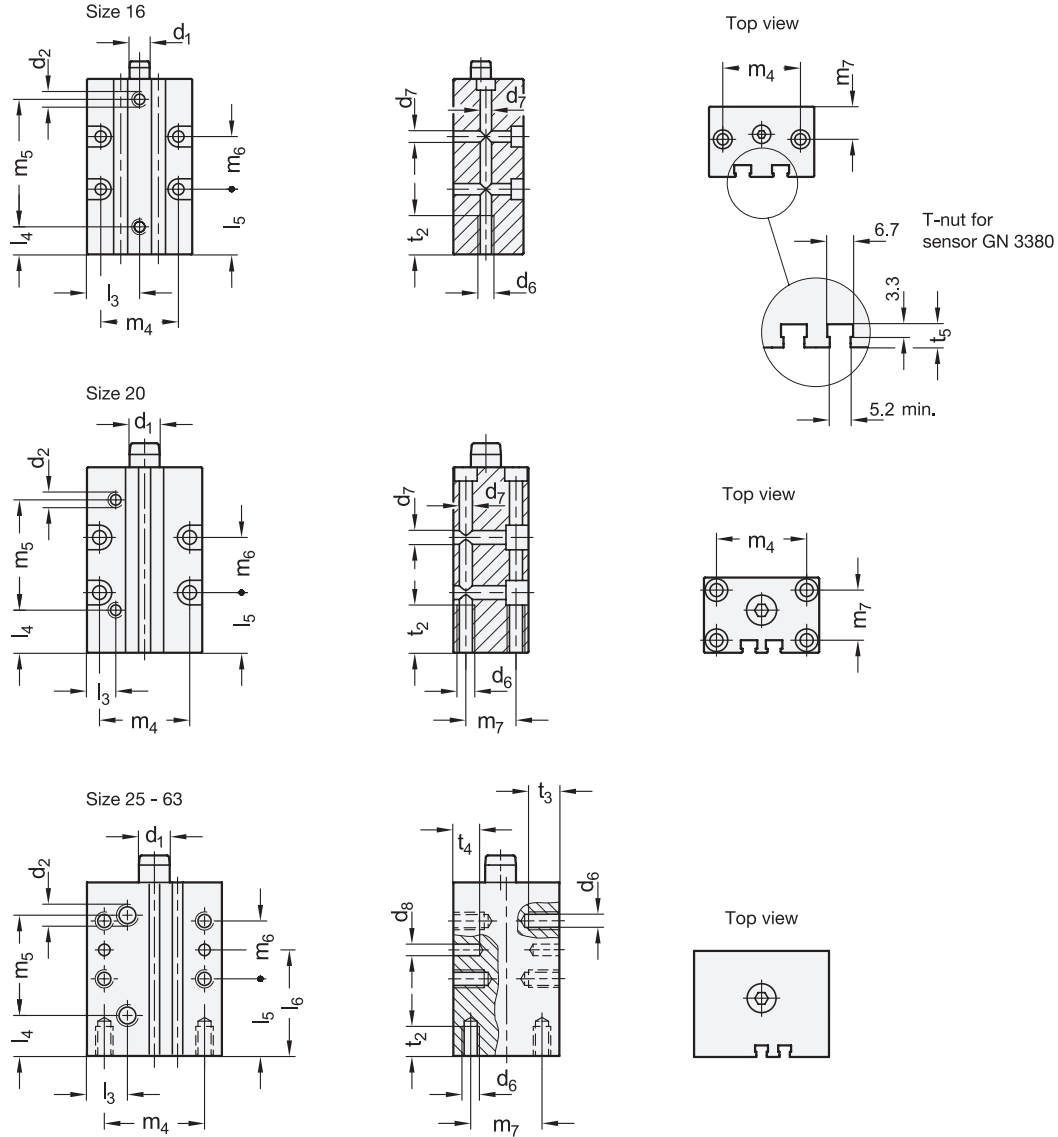
- List of Pneumatic Clamps → page 834
- Pneumatic Swing Clamps GN 876 (Threaded Body Style) → page 882

How to order	
1 2 3 4	1 Size
GN875-50-20-R-B	
	2 Diameter d ₁
	3 Coding
	4 Type

1.1 1.2 1.3 1.4 2.1 2.2 2.3 2.4



Fastening and mounting dimensions



Size (Piston Ø)	d ₁	d ₆ Thread	d ₇	d ₈ H7	l ₃	l ₄	l ₅	l ₆	m ₄	m ₅	m ₆	m ₇	t ₂	t ₃	t ₄	t ₅ ≈
16	8 0.31	M 5	4.5 0.18	-	21 0.83	11 0.43	26 1.02	-	31 1.22	51 2.01	21 0.83	13 0.51	15 0.59	-	-	4.7 0.19
20	12 0.47	M 6	5.5 0.22	-	11.5 0.45	17 0.67	24 0.94	-	36 1.41	44.5 1.75	22 0.87	20 0.79	20 0.79	-	-	5 0.20
25	14 0.55	M 8	-	6 0.24	17 0.67	17 0.67	33 1.30	48 1.89	40 1.57	44.5 1.75	30 1.18	20 0.79	15 0.59	10 0.39	10 0.39	4.5 0.18
32	16 0.63	M 8	-	6 0.24	18 0.71	20.5 0.81	40 1.57	55 2.17	45 1.77	51 2.01	30 1.18	30 1.18	20 0.79	15 0.59	15 0.59	6 0.24
40	16 0.63	M 8	-	6 0.24	21 0.83	21 0.83	40 1.57	55 2.17	52 2.05	52 2.05	30 1.18	37 1.46	20 0.79	15 0.59	15 0.59	7.5 0.30
50	20 0.79	M 10	-	8 0.31	26 1.02	26 1.02	40 1.57	60 2.36	66 2.60	53 2.09	40 1.57	46 1.81	20 0.79	20 0.79	15 0.59	6 0.24
63	20 0.79	M 10	-	8 0.31	30 1.18	27.5 1.08	40 1.57	60 2.36	80 3.15	53 2.09	40 1.57	60 2.36	20 0.79	20 0.79	15 0.59	7.5 0.30