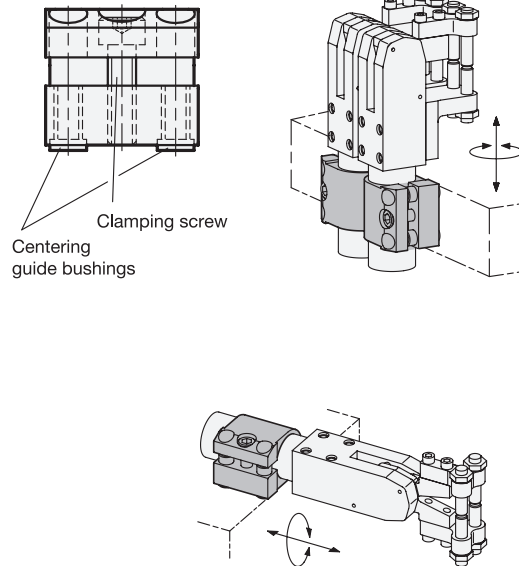


Mounting examples



Metric table

Dimensions in: millimeters - inches

For pneumatic clamp size	d ₁	d ₂	d ₃	d ₄ ^{H8/h6}	l ₁	l ₂	l ₃	l ₄	l ₅	l ₆	l ₇	m ₁	m ₂
20 0.79	28 1.10	M 8	6.5 0.26	11 0.43	51.35 2.02	38 1.50	39 1.54	36 1.42	35 1.38	16 0.63	16 0.63	26 1.02	25.85 1.02
32 1.26	40 1.57	M 10	8.5 0.33	13 0.51	61.35 2.42	48 1.89	54 2.13	51 2.01	39 1.54	21 0.83	21 0.83	38 1.50	29.35 1.16
40 1.57	50 1.97	M 12	10.5 0.41	16 0.63	72.35 2.85	58 2.28	64 2.52	61 2.40	47 1.85	26 1.02	26 1.02	45 1.77	33.85 1.33

Specification

- Aluminum, black anodized finish
- Centering guide bushings
Steel, blackened finish
- *ISO Fundamental Tolerances* → page 2129
- **RoHS compliant**

Information

GN 873 mounting brackets greatly increase the mounting possibilities and the field of applications for GN 864 / GN 865 / GN 866 pneumatic fastening clamps.

The abutting shoulder can be used for precise positioning of the fastening clamp.

The use of the two guide bushings ensures an exact and stable installation of the mounting bracket as well as the pneumatic fastening clamp.

Other mounting brackets for the sizes d₁ = 40 mm (piston Ø 32 mm) and d₁ = 50 mm (piston Ø 40 mm) are shown under the tube clamp connector range section 3.7.

Centering guide bushings are included.

<p>How to order</p> <p>GN 873-40</p>	<p>1 Diameter d₁</p>
---	---------------------------------