

2 Type
BL Horizontal clamping arm

Metric table

1

Dimensions in: millimeters - inches

Size (Piston Ø)	Max. clamping moment in Nm at 6 bar	F _S Clamping force at r at 6 bar	F _H Holding capacity at r	a	b -0.2	d ₁ h8	d ₂	d ₃ H8	d ₄	d ₅	h ₁	h ₂
20	60	2220 N 499 lbf	7030 N 1580 lbf	27 1.06	10 0.394	28 1.102	M 5	7 0.276	4.2 0.17	M 5	16 0.63	51 2.01
32	150	4110 N 924 lbf	12876 N 2895 lbf	36.5 1.44	12 0.472	40 1.575	M 6	9 0.354	5 0.20	G 1/8	21 0.83	75.5 2.97
40	300	6740 N 1515 lbf	16943 N 3809 lbf	44.5 1.75	16 0.630	50 1.969	M 8	11 0.433	6.8 0.27	G 1/8	26 1.02	91.5 3.60
50	475	9000 N 2023 lbf	22666 N 5096 lbf	52.5 2.07	18 0.709	60 2.362	M 10	13 0.512	8.5 0.33	G 1/8	31 1.22	114 4.49

Size (Piston-Ø)	l ₁ -0.5	l ₂	l ₃	l ₄	l ₅	m ₁ ±0.01	m ₂	m ₃ ±0.01	m ₄	m ₅ ±0.01	m ₆	r	s	t
20	150 5.91	37.5 1.48	70 2.76	21.5 0.85	4.5 0.18	12 0.47	7.5 0.30	17 0.67	34 1.34	22 0.87	13 0.51	27 1.06	32 1.26	13 0.51
32	206 8.11	52 2.05	91 3.58	31 1.22	6 0.24	18 0.71	10 0.39	25 0.98	51 2.01	30 1.18	22 0.87	36.5 1.44	42 1.65	15 0.59
40	244 9.61	63 2.48	104 4.09	37 1.46	7.5 0.30	22 0.87	13 0.51	30 1.18	62 2.44	37 1.46	25 0.98	44.5 1.75	52 2.05	18 0.71
50	279 10.98	74 2.91	110.5 4.35	43 1.69	8 0.31	27 1.06	12 0.47	47 1.85	71.5 2.81	44 1.73	35 1.38	52.5 2.07	62 2.44	21 0.83

Specification

- Clamp
Steel C45
- Chemically nickel plated **NC**
- Nonstick coating
Polytetrafluorethylene (PTFE), green **FG**
- Max. pressure 10 bar
- ISO Fundamental Tolerances → page 2129
- Plastic Characteristics → page 2135
- RoHS compliant

3

Information

The maximum clamping moment of GN 864 pneumatic fastening clamps is reached once the clamping arm is at the end of its stroke. For this reason the working stroke should be completed as closely as possible to the stroke end.

The type FG is equipped with a nonstick coating of polytetrafluorethylene (PTFE) for protection against welding spray and corrosion. With GN 864.1 protective covers, the tensioning mechanism can be protected against penetrating dirt.

see also...

- Operating Principle / Mounting Methods → page 864
- Information on Pneumatic Fastening Clamps (Mounting Methods / Accessories) → page 865

How to order (Chemically nickel plated)

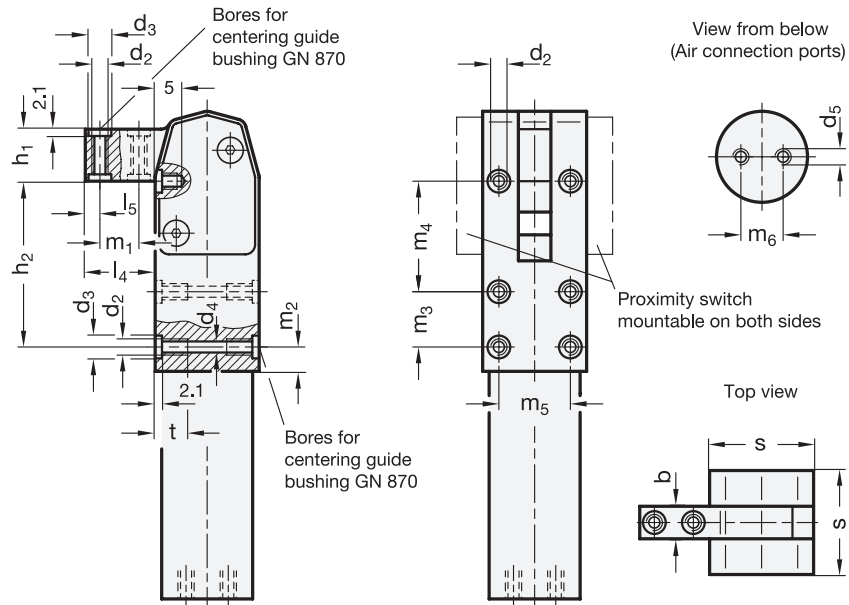
GN864-20-BL-NC

- Size
- Type
- Finish

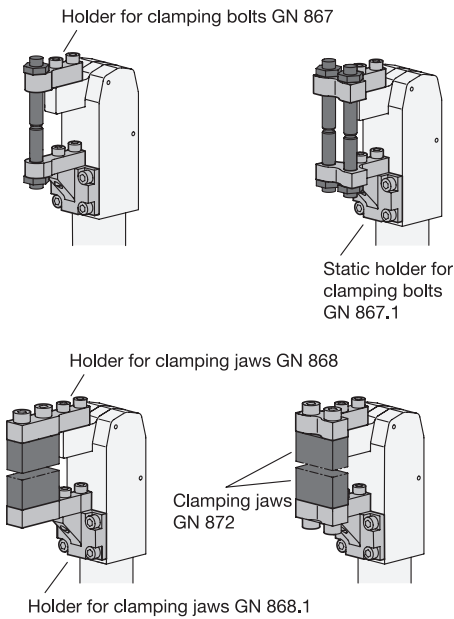
How to order (Nonstick coating)

GN864-40-BL-FG

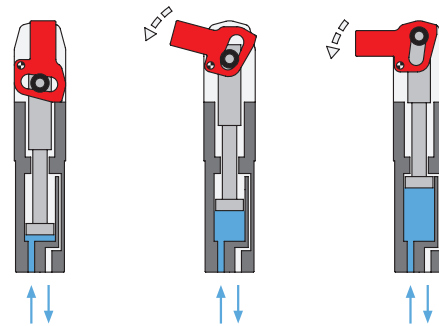
- Size
- Type
- Finish



Installation examples



Principle of operation



1.1
1.2
1.3
1.4
2.1
2.2
2.3
2.4

