

- 2 Type**
EPV Solid bar version
- 3 Coding**
M Magnetic piston

Metric table



Dimensions in: millimeters - inches

Size	F _H Holding capacity	F _S Clamping force at 6 bar ≈	b ₁ ≈	b ₂	b ₃	b ₄	d ₁	d ₂ Compressed air connections	Inside Ø connection tube	h ₁ ≈
1000	10000 N 2248 lbf	3250 N 731 lbf	102 4.02	90 3.54	80 3.15	20 0.79	10.5 0.41	G 1/4	8 0.31	355 13.98
2000	20000 N 4496 lbf	5600 N 1259 lbf	112 4.41	100 3.94	90 3.54	20 0.79	12.5 0.49	G 3/8	10 0.39	425 16.73

Size	h ₂	h ₃	l ₁ ≈	l ₂ ≈	m ₁	m ₂	m ₃	m ₄	r	s
1000	132.5 5.22	25 0.98	217.5 8.56	80 3.15	50 1.97	12.5 0.49	50 1.97	-	144 5.67	13 0.51
2000	161 6.34	35 1.38	246.5 9.70	100 3.94	54 2.13	12.5 0.49	58 2.28	45 1.77	168.5 6.63	14 0.55

Specification

- Toggle clamp
Cast steel
Black lacquered finish
- Other parts
Steel St 60
Zinc plated, blue passivated finish
- Case-hardened bearing pins
- Double-action air cylinder, with adjustable cushioning
Max. pressure 6 bar
- All moving parts lubricated with special grease
- RoHS compliant

Accessory

- Sensor GN 3380 → page 888

Information

GN 863 heavy duty pneumatic toggle clamps have been constructed in such a way as to make them easy to unmount. The bearing pins are axially fixed with circlips. This allows the clamping bar to be modified to suit any particular application.

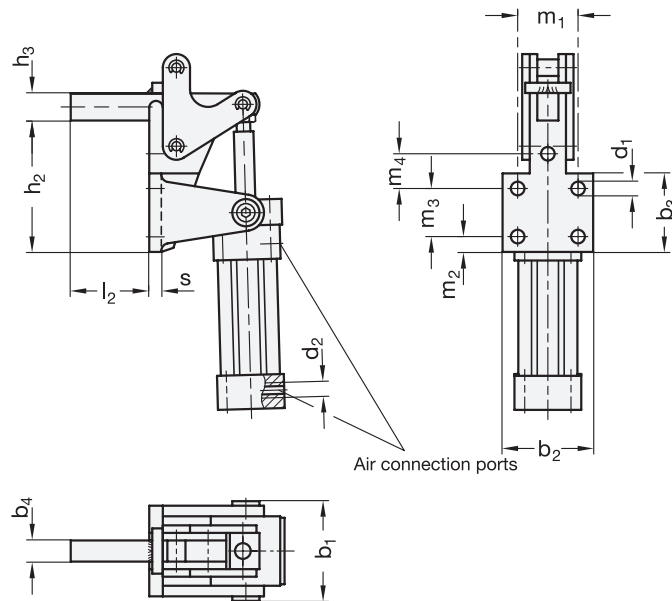
To ensure an extended life of the mechanical parts as well as the air cylinders, the operating pressure should not exceed 6 bar and a compressed air maintenance unit should be installed upstream.

GN 863 toggle clamps have a permanent magnet integrated into the piston. In conjunction with GN 3380 sensors, it is possible to detect the piston position, which can deliver a signal, for instance to a machine controller.

see also...

- General Information on Pneumatic Toggle Clamps → page 840
- List of Pneumatic Clamps → page 834

How to order GN 863-1000-EPV-M	1	Size
	2	Type
	3	Coding



1.1

1.2

1.3

1.4

2.1

2.2

2.3

2.4

