

2	Type
APVS	U-bar version, with two flanged washers
CPVS	U-bar version, with two flanged washers and GN 708.1 spindle assembly
EPVS	Solid bar version, with weldable clasp
3	Coding
M	Magnetic piston

Specification

- Parts in sheet metal
Case-hardened steel C10
Zinc plated, blue passivated finish
- Hardened bearing pins
- Case-hardened bearing rivets
- Case-hardened air cylinder bearing pins
- Double-action air cylinder
Max. pressure 6 bar
- All moving parts lubricated with special grease
- Solid moulded plastic handle sleeve
Red, oil resistant
- Spindle assembly GN 708.1, Type A
→ page 858
 - Steel, zinc plated, blue passivated finish
 - Rubber tip 85 shore A
- RoHS compliant

Accessory

- Spindle assemblies → starting from page 856
- Clamp mounts GN 801 (for type APV3S)
→ www.jwwinco.com
- Sensor GN 3380 → page 888

Information

GN 862.1 pneumatic toggle clamps are built from the same construction as GN 862.

The special features of these clamps are that they can be mounted in two different planes, and they can also be operated manually via the grip handle. For example, they can individually be manually closed, and then all clamps can be opened at once via the pneumatic function.

To ensure an extended life of the mechanical parts as well as the air cylinders, the operating pressure should not exceed 6 bar and a compressed air maintenance unit should be installed upstream.

GN 862.1 toggle clamps have a permanent magnet integrated into the piston. In conjunction with GN 3380 sensors, it is possible to detect the piston position, which can deliver a signal, for instance to a machine controller.

see also...

- *General Information on Pneumatic Toggle Clamps* → page 840
- *List of Pneumatic Clamps* → page 834

How to order

GN862.1-230-APVS-M

1	Size
2	Type
3	Coding

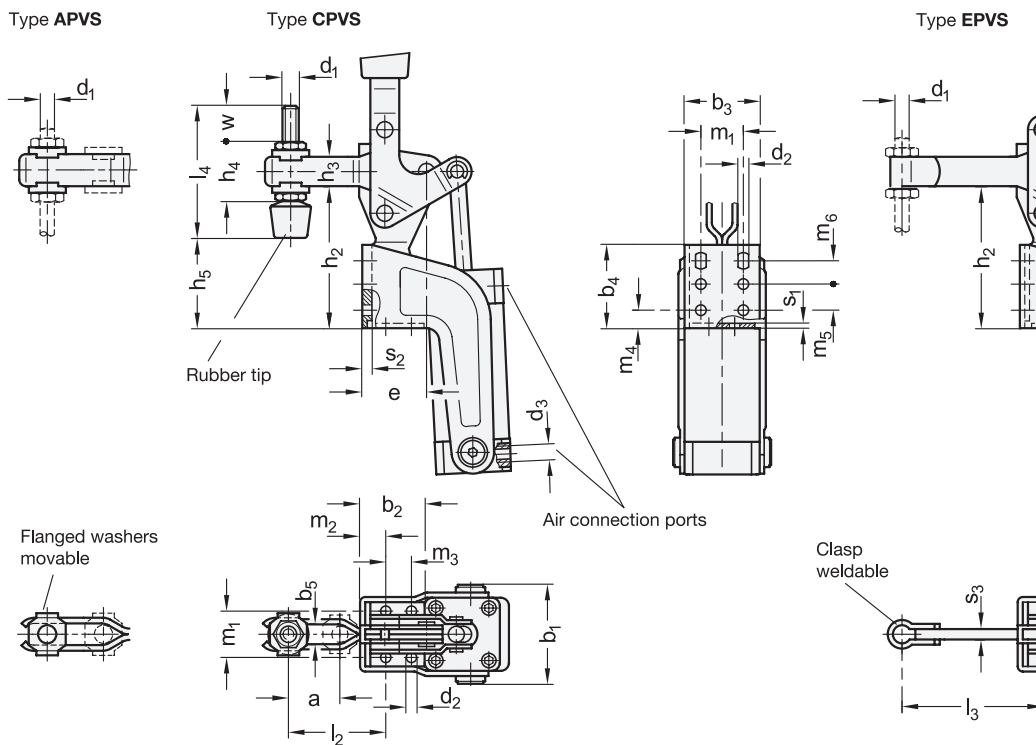
Metric table



Dimensions in: millimeters - inches

Size	F _H Holding capacity	F _S Clamping force at 6 bar ≈	a ≈	b ₁	b ₂	b ₃	b ₄	b ₅	d ₁	d ₂	d ₃ Compressed air connections	Inside Ø connection tube	e	h ₁	h ₂	h ₃	h ₄ ≈
230	2200 N 495 lbf	1260 N 283 lbf	40 1.57	58 2.28	38 1.50	46 1.81	51 2.01	8.5 0.33	M 8	6.5 0.26	G 1/8	4 0.16	41.5 1.63	302 11.89	87 3.43	18 0.71	30 1.18
330	2600 N 585 lbf	1800 N 405 lbf	45 1.77	70 2.76	52.5 2.07	56 2.20	79 3.11	10.5 0.41	M 10	8.5 0.33	G 1/4	6 0.24	52.5 2.07	363 14.29	108 4.25	22 0.87	37 1.46

Size	h ₅	l ₁ ≈		l ₂ ≈	l ₃ ≈ max.	l ₄	m ₁	m ₂	m ₃	m ₄	m ₅	m ₆	r ≈		s ₁	s ₂	s ₃	w Adjustable range	
		Type APVS	Type CPVS										Type APVS	Type EPVS					
230	63 2.48	153 6.02	Type EPVS 155 6.10	67 2.64	81 3.19	68 2.68	26 1.02	14 0.55	16 0.63	11 0.43	16 0.63	14.2 0.56	104 4.09	Type APVS 104 4.09	Type EPVS 105 4.13	3 0.12	5.5 0.22	6 0.24	20 0.79
330	80 3.15	182 7.17	184 7.24	72 2.83	91 3.58	77 3.03	30 1.18	16 0.63	28 1.10	19 0.75	30 1.18	20 0.79	121 4.76	Type APVS 123 4.84	Type EPVS 123 4.84	3.5 0.14	6.5 0.26	7 0.28	19 0.75



1.1
1.2
1.3
1.4
2.1
2.2
2.3
2.4

