

- 2** Type  
EP Solid bar version
- 3** Coding  
M Magnetic piston

**Metric table**



Dimensions in: millimeters - inches

Size	F <sub>H</sub> Holding capacity	F <sub>S</sub> Clamping force at 6 bar ≈	b <sub>1</sub>	b <sub>2</sub>	b <sub>3</sub>	d <sub>1</sub>	d <sub>2</sub> Compressed air connections	Inside Ø connection tube	h <sub>1</sub> ≈	h <sub>2</sub>
1000	10000 N 2248 lbf	2500 N 562 lbf	102 4.02	90 3.54	20 0.79	10.5 0.41	G 1/4	8 0.31	145 5.71	80 3.15
2000	20000 N 4496 lbf	3600 N 809 lbf	112 4.41	100 3.94	20 0.79	10.5 0.41	G 3/8	10 0.39	171.5 6.75	90 3.54

Size	h <sub>3</sub>	l <sub>1</sub> ≈	l <sub>2</sub> ≈	l <sub>3</sub> ≈	m <sub>1</sub>	m <sub>2</sub>	m <sub>3</sub>	m <sub>4</sub>	r ≈	s
1000	25 0.98	410 16.14	90 3.54	155 6.10	65 2.56	12.5 0.49	65 2.56	48 1.89	140 5.51	13 0.51
2000	35 1.38	487 19.17	113 4.45	176 6.93	70 2.76	15 0.59	70 2.76	56 2.20	172 6.77	13 0.51

**Specification**

- Toggle clamp  
Cast steel  
Black painted
- Other parts  
Steel St 60  
Zinc plated, blue passivated finish
- Case-hardened bearing pins
- Double-action air cylinder, with adjustable cushioning  
Max. pressure 6 bar
- All moving parts lubricated with special grease
- RoHS compliant

**Accessory**

- Sensor GN 3380 → page 888

**Information**

GN 861 heavy duty pneumatic toggle clamps have been constructed in such a way as to make them easy to unmount. The bearing pins are axially fixed with circlips. This allows the clamping bar to be modified to suit any particular application.

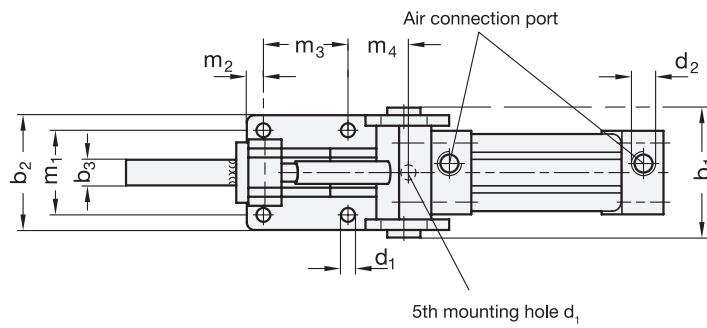
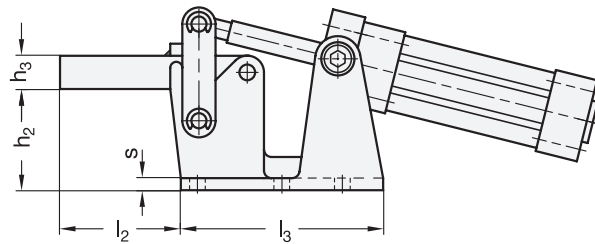
To ensure an extended life of the mechanical parts as well as the air cylinders, the operating pressure should not exceed 6 bar and a compressed air maintenance unit should be installed upstream.

GN 861 toggle clamps have a permanent magnet integrated into the piston. In conjunction with GN 3380 sensors, it is possible to detect the piston position, which can deliver a signal, for instance to a machine controller.

see also...

- General Information on Pneumatic Toggle Clamps → page 840
- List of Pneumatic Clamps → page 834

<p>How to order</p> <p><b>GN861-1000-EP-M</b></p>	1	Size
	2	Type
	3	Coding



1.1  
1.2  
1.3  
1.4  
2.1  
2.2  
2.3  
2.4

