

SS Stainless Steel

2 Type

- T6** With mounting holes, with U-bolt latch, with catch
- T** With mounting holes, without U-bolt latch, with catch
- T6S** Weldable, with U-bolt latch, with catch
- TS** Weldable, without U-bolt latch, with catch

Metric table



Dimensions in: millimeters - inches

Size	F _H Holding capacity	a ₁	a ₂	b ₁	b ₂	b ₃	b ₄	b ₅	b ₆	b ₇	b ₈	d ₁	d ₂	d ₃	h ₁ ≈	h ₂
1700	14000 N 3147 lbf	22 0.87	21 0.83	68 2.68	64 2.52	46 1.81	48 1.89	28 1.10	26.5 1.04	38 1.50	17 0.67	M 10	8.5 0.33	14 0.55	55 2.17	34.5 1.36
4000	30000 N 6744 lbf	28 1.10	27 1.06	85 3.35	80 3.15	55 2.17	60 2.36	34 1.34	32 1.26	50 1.97	20 0.79	M 12	10.5 0.41	16 0.63	68 2.68	42.5 1.67

Size	l ₁ ≈	Type T6S / TS	Type T6 / T	l ₂ min.	l ₃ ≈	m ₁	m ₂	m ₃	m ₄	m ₅	r ≈ at w ₂ = 0	s	t	w ₁ Stroke	w ₂ ≈ Adjustable range
1700	218 8.58	223 8.78	33 1.30	129 5.08	45 1.77	11.5 0.45	45 1.77	10 0.39	28 1.10	96 3.78	7 0.28	2 0.08	54 2.13	15 0.59	
4000	266 10.47	271 10.67	30 1.18	151 5.94	57 2.24	14 0.55	57 2.24	12.5 0.49	35 1.38	107 4.21	9 0.35	2 0.08	62 2.44	25 0.98	

Specification



- Base / catch / clamping lever / U-bolt latch
Stainless steel AISI 304 **NI**
Forged
- Other parts
Stainless steel AISI 303
- All moving parts lubricated with special grease
- *Stainless Steel Characteristics* → page 2143
- **RoHS compliant**

Information

GN 852.3 latch type toggle clamps are compact in design and can be used to ensure high holding capacities.

When the toggle clamp is clamped, a safety hook positively locks onto the body. This prevents inadvertent or vibration-induced release from the clamping position. Unlocking of the safety hook is achieved by one-hand operation.

The stroke of the U-bolt latch of these toggle clamps can be adjusted within its range.

In addition to the standard lengths of the U-bolt latch shown in the table, a variety of other lengths are also available under the GN 951.2 series.

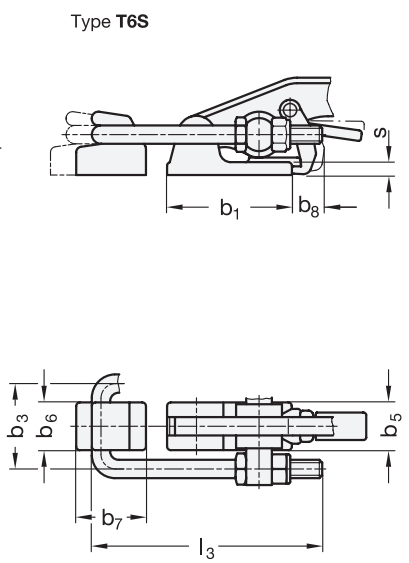
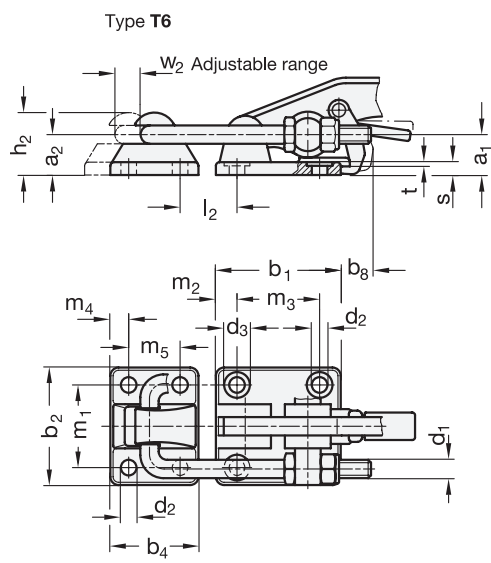
see also...

- *General Information on Toggle Clamps* → page 756
- *Square U-Bolts GN 951.2* → page 824

How to order

GN 852.3-1700-T6-NI

1	Size
2	Type
3	Material



1.1
1.2
1.3
1.4
2.1
2.2
2.3
2.4

