

SS Stainless Steel

2 Type

T6 With U-bolt latch, with catch
T Without U-bolt latch, with catch

Metric table



Dimensions in: millimeters - inches

Size	F _H Holding capacity	a	b ₁	b ₂	b ₃	b ₄	b ₅	d ₁	d ₂	h ₁ ≈	h ₂
160	1600 N 360 lbf	12 0.47	26 1.02	28 1.10	21 0.83	20 0.79	14 0.55	M 4	4.3 0.17	31 1.22	18 0.71
320	3200 N 719 lbf	16 0.63	40 1.57	44 1.73	32 1.26	28 1.10	22 0.87	M 6	6.5 0.26	45 1.77	25 0.98
700	7000 N 1574 lbf	24 0.94	60 2.36	54 2.13	38 1.50	38 1.50	26 1.02	M 8	8.5 0.33	56 2.20	36 1.42

Size	l ₁ ≈	l ₂ min.	m ₁	m ₂	m ₃	m ₄	m ₅	r ≈ at w ₂ = 0	s	w ₁ Stroke	w ₂ ≈ Adjustable range
160	99 3.90	11 0.43	19 0.75	5 0.20	16 0.63	5 0.20	10 0.39	35 1.38	2 0.08	25 0.98	11 0.43
320	166 6.54	20 0.79	32 1.26	10.5 0.41	19 0.75	7 0.28	14.3 0.56	54 2.13	3 0.12	35 1.38	13 0.51
700	217 8.54	25 0.98	38 1.50	9.5 0.37	41.5 1.63	9.5 0.37	19 0.75	70 2.76	3.5 0.14	49 1.93	26 1.02

Specification



- Toggle clamp
 - Case-hardened steel C10 —
 - Zinc plated, blue passivated finish
 - U-bolt latch
 - Steel St 37
 - Zinc plated, blue passivated finish
- Stainless steel AISI 316L **A4**
Parts in sheet metal / U-bolt latch / pin
- All moving parts lubricated with special grease
- Hand grip
High quality, oil resistant red plastic
- *Stainless Steel Characteristics* → page 2143
- **RoHS compliant**

Information

GN 851.3 horizontal latch type toggle clamps are compact in design and can be used to ensure high holding capacities.

The circular movement of the handle is transformed into linear action of the latch. In the clamped position the U-bolt latch with clamping arm is parallel to the plane of the operating handle.

When the toggle clamp is clamped, a safety hook positively locks onto the body. This prevents inadvertent or vibration-induced release from the clamping position. Unlocking of the safety hook is achieved by one-hand operation.

The stroke of the U-bolt latch of these toggle clamps can be adjusted within its range.

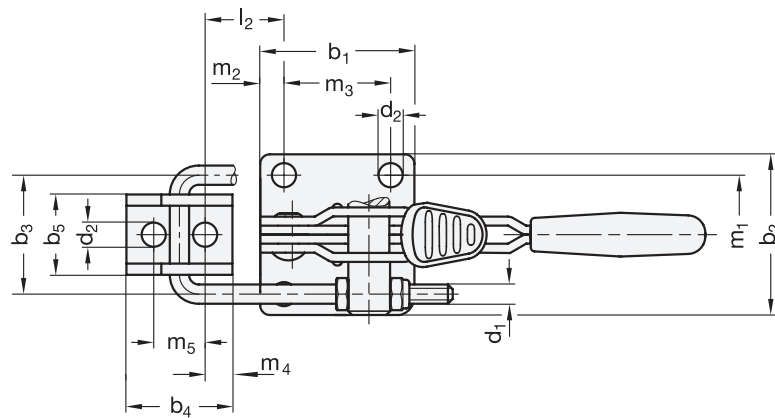
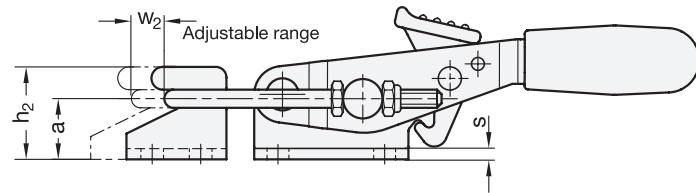
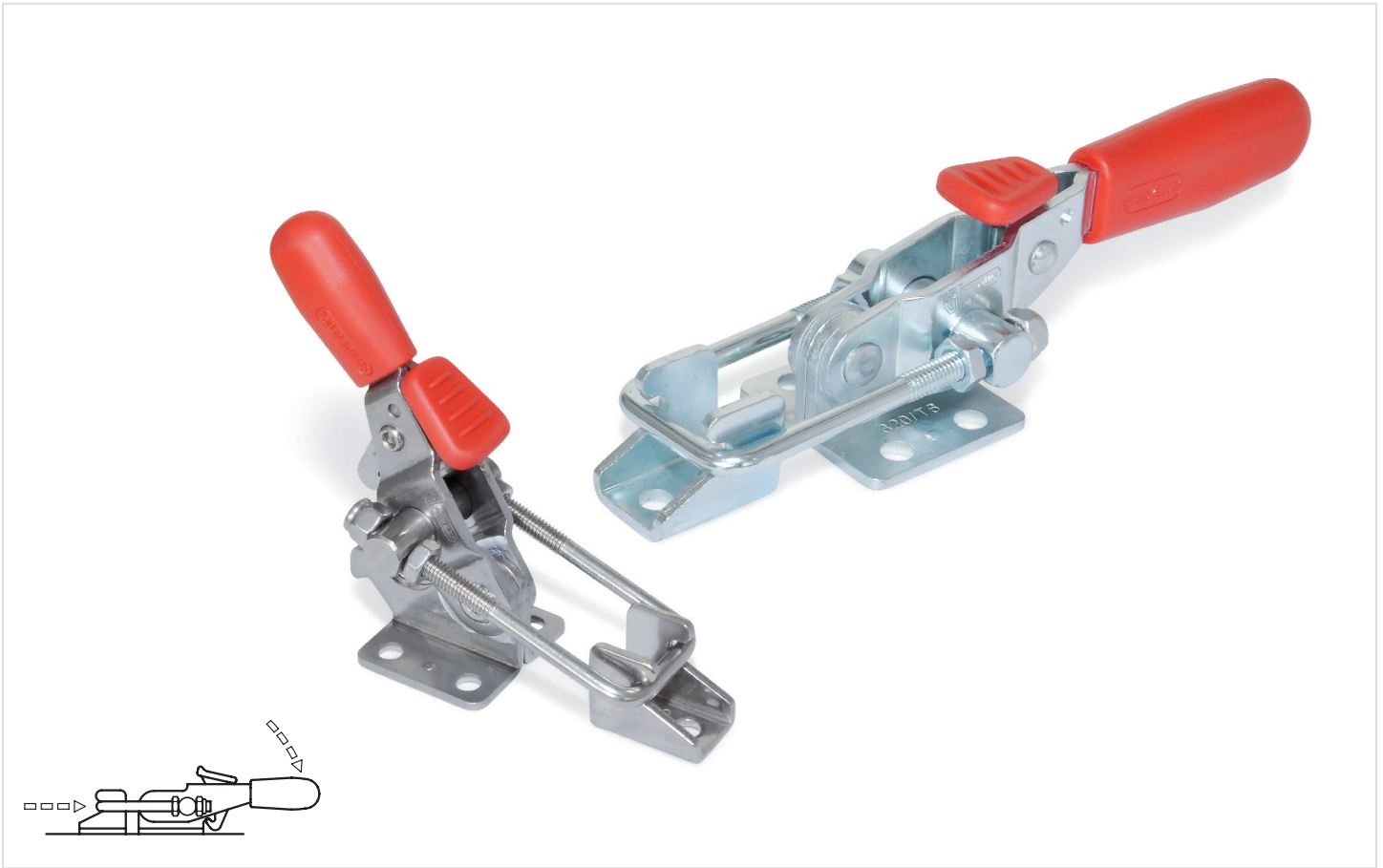
In addition to the standard lengths of the U-bolt latch shown in the table, a variety of other lengths are also available under the GN 951.1 series.

see also...

- *General Information on Toggle Clamps* → page 756
- *Square U-Bolts GN 951.1* → page 822

How to order (Steel) GN 851.3-160-T6	1 Size
	2 Type

How to order (Stainless steel) GN 851.3-160-T6-A4	1 Size
	2 Type
	3 Material



1.1
1.2
1.3
1.4
2.1
2.2
2.3
2.4
7