

**SS** Stainless Steel

**2** Type

**T3** With U-bolt latch, with catch  
**T** Without U-bolt latch, with catch

**Metric table**



Dimensions in: millimeters - inches

Size	F <sub>H</sub> Holding capacity	a <sub>1</sub>	a <sub>2</sub>	b <sub>1</sub>	b <sub>2</sub>	b <sub>3</sub>	b <sub>4</sub>	b <sub>5</sub>	d <sub>1</sub>	d <sub>2</sub>	h <sub>1</sub>	h <sub>2</sub>
160	1600 N 360 lbf	5 0.20	25 0.98	26 1.02	35 1.38	21 0.83	25.5 1.00	14 0.55	M 4	4.3 0.17	37 1.46	10 0.39
320	3200 N 719 lbf	8 0.31	37 1.46	36 1.42	44 1.73	32 1.26	37 1.46	22 0.87	M 6	6.5 0.26	54 2.13	15 0.59
700	7000 N 1574 lbf	13 0.51	45 1.77	52 2.05	54 2.13	38 1.50	48.5 1.91	26 1.02	M 8	8.5 0.33	67 2.64	23 0.91

Size	l <sub>1</sub> ≈	l <sub>2</sub> min.	m <sub>1</sub>	m <sub>2</sub>	m <sub>3</sub>	m <sub>4</sub>	m <sub>5</sub>	r ≈ at w <sub>2</sub> = 0	s	w <sub>1</sub> Stroke	w <sub>2</sub> ≈ Adjustable range
160	68 2.68	4.5 0.18	22 0.87	6.5 0.26	13 0.51	6.7 0.26	14.3 0.56	52 2.05	2 0.08	32 1.26	10 0.39
320	106 4.17	6 0.24	25.5 1.00	8.5 0.33	19 0.75	10.5 0.41	20.5 0.81	78 3.07	3 0.12	53 2.09	21 0.83
700	147 5.79	8 0.31	36.5 1.44	10 0.39	32 1.26	13.5 0.53	27 1.06	102 4.02	3.5 0.14	64 2.52	25 0.98

**Specification**



- Toggle clamp
  - Case-hardened steel C10
  - Zinc plated, blue passivated finish
  - U-bolt latch
  - Steel St 37
  - Zinc plated, blue passivated finish
- Stainless steel **NI**
  - Parts in sheet metal / U-bolt latch
  - AISI 304
  - Pin
  - AISI 303
- All moving parts lubricated with special grease
- Hand grip
- High quality, oil resistant red plastic
- *Stainless Steel Characteristics* → page 2143
- **RoHS compliant**

**Information**

The stroke of the U-bolt latch of GN 851.1 vertical latch type toggle clamps can be adjusted within its range.

In the clamped position the U-bolt latch with clamping arm is perpendicular to the clamping arm and the plane of the operating handle.

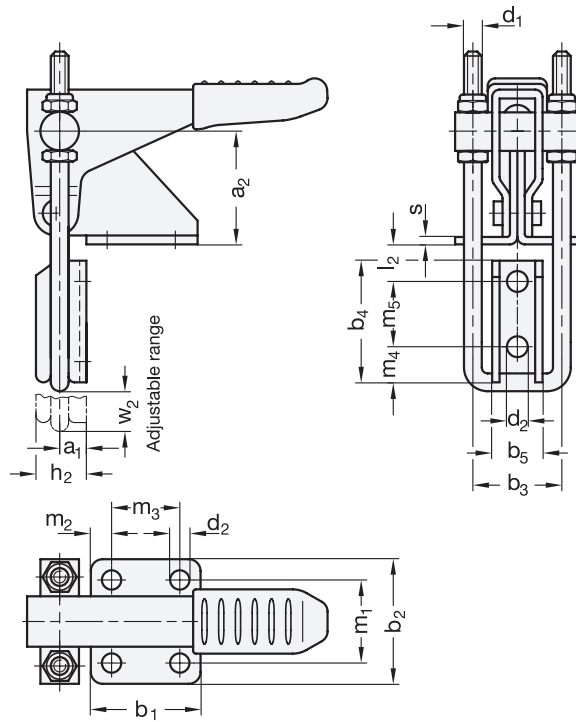
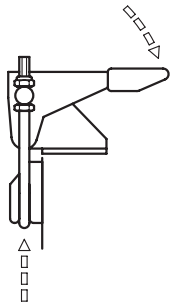
In addition to the standard lengths of the U-bolt latches shown in the table, a variety of other lengths are also available under the GN 951.1 series.

see also...

- *General Information on Toggle Clamps* → page 756
- *Square U-Bolts GN 951.1* → page 822

How to order (Steel)	
<b>GN851.1-700-T3</b>	<b>1</b> Size
	<b>2</b> Type

How to order (Stainless steel)	
<b>GN851.1-160-T3-NI</b>	<b>1</b> Size
	<b>2</b> Type
	<b>3</b> Material



1.1  
1.2  
1.3  
1.4  
2.1  
2.2  
2.3  
2.4

