

- 2 Type**
- ASD** Clamping by turning handle counter-clockwise
 - ASS** Clamping by turning handle clockwise

Metric table

Dimensions in: millimeters - inches

Size	F _H Holding capacity	a	b	d ₁	d ₂	d ₃	h ₁ ≈	h ₂	l ₁ ≈
70	900 N 202 lbf	12 0.47	19.5 0.77	8.5 0.33	M 6	4.3 0.17	49 1.93	36 1.42	86 3.39
160	1300 N 292 lbf	15 0.59	25 0.98	11 0.43	M 6	5.5 0.22	79 3.11	46 1.81	117 4.61
550	4500 N 1012 lbf	20 0.79	32 1.26	14 0.55	M 8	7 0.28	113 4.45	55 2.17	165 6.50

Size	l ₂ ≈	l ₃ ≈	m ₁	m ₂	m ₃	m ₄	s	t	w Stroke
70	77 3.03	22 0.87	26 1.02	26 1.02	13 0.51	-	6 0.24	12 0.47	20 0.79
160	107 4.21	32 1.26	36.5 1.44	33.5 1.32	11.5 0.45	-	7 0.28	12 0.47	30 1.18
550	153 6.02	42 1.65	35 1.38	41 1.61	15 0.59	41 1.61	7 0.28	16 0.63	42 1.65

Specification

- Base
Steel
- Forged
- Manganese phosphated
- Parts in sheet metal
Case-hardened steel C10
Zinc plated, blue passivated finish
- Plunger
Steel St 37
Zinc plated, blue passivated finish
- All moving parts lubricated with special grease
- Hand grip
High quality, oil resistant red plastic
- RoHS compliant

Accessory

- Spindle assemblies → starting from page 856

Information

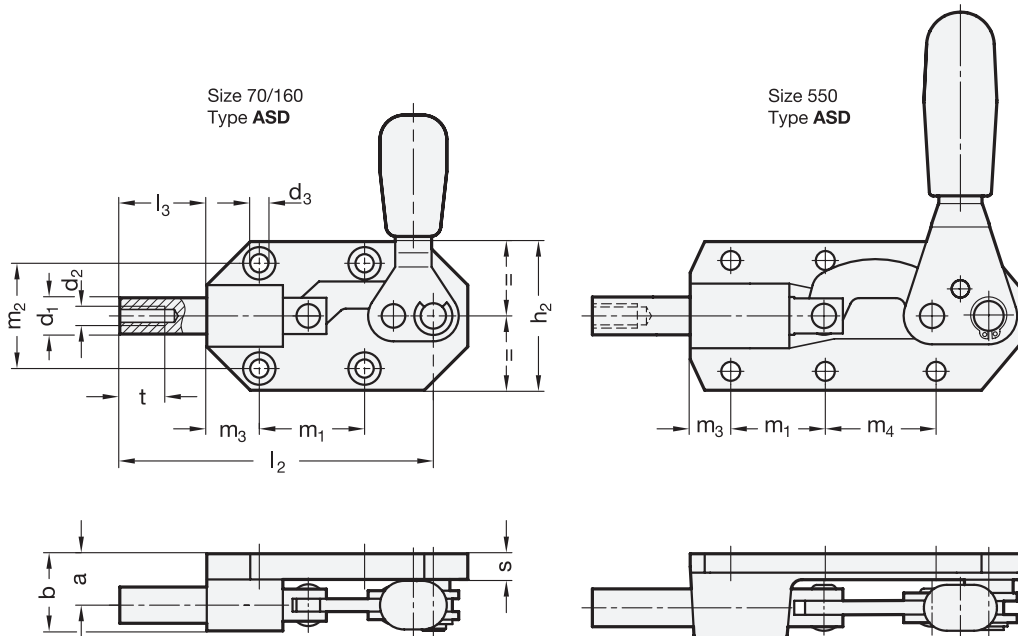
GN 844 push-pull type toggle clamps are known for their low height in all clamping positions. They can be used to achieve very high holding forces thanks to their massive and sturdy body.

In these devices the circular movement of the handle is transformed into a straight-line action of the clamp along its axis.

see also...

- General Information on Toggle Clamps → page 756

<p>How to order</p> <p>GN844-70-ASS</p>	1	Size
	2	Type



Type ASS is mirror image of type ASD

1.1
1.2
1.3
1.4
2.1
2.2
2.3
2.4

