

**2** Type  
AS Sheet metal body

**Metric table**

Dimensions in: millimeters - inches

Size	F <sub>H</sub> Holding capacity	a	b	d <sub>1</sub>	d <sub>2</sub>	d <sub>3</sub>	h <sub>1</sub> ≈	h <sub>2</sub>	l <sub>1</sub> ≈
120	3600 N 809 lbf	17 0.67	48 1.89	12 0.47	M 6	5.5 0.22	111 4.37	31 1.22	130 5.12
300	7200 N 1619 lbf	20 0.79	58 2.28	14 0.55	M 8	6.5 0.26	140 5.51	36 1.42	167 6.57

Size	l <sub>2</sub> ≈	l <sub>3</sub> ≈	l <sub>4</sub> ≈	m <sub>1</sub>	m <sub>2</sub>	m <sub>3</sub>	A/F	t	w Stroke
120	121 4.76	40 1.57	30 1.18	34 1.34	30 1.18	17 0.67	24 0.95	12 0.47	20 0.79
300	155 6.10	57 2.24	45 1.77	50 1.97	34 1.34	18 0.71	27 1.06	16 0.63	33 1.30

**Specification**

- Parts in sheet metal  
Case-hardened steel C10  
Zinc plated, blue passivated finish
- Plunger  
Steel St 37  
Zinc plated, blue passivated finish
- Plunger guide bushing  
Brass  
Zinc plated, blue passivated finish
- All moving parts lubricated with special grease
- Hand grip  
High quality, oil resistant red plastic
- RoHS compliant

**Accessory**

- Spindle assemblies → starting from page 856

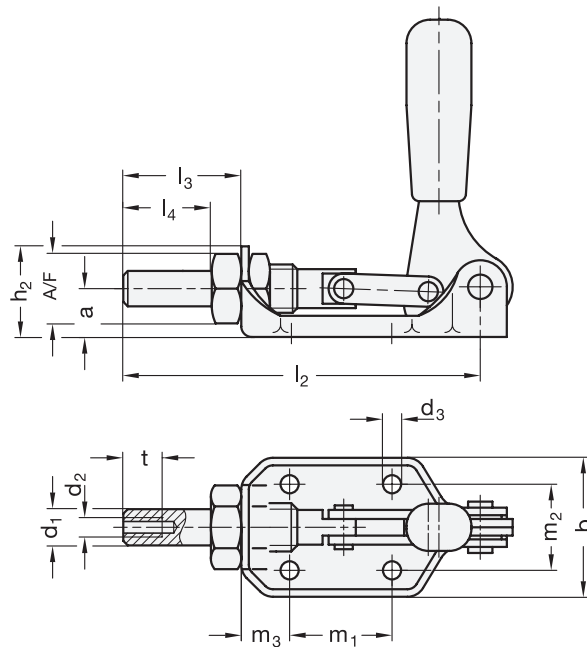
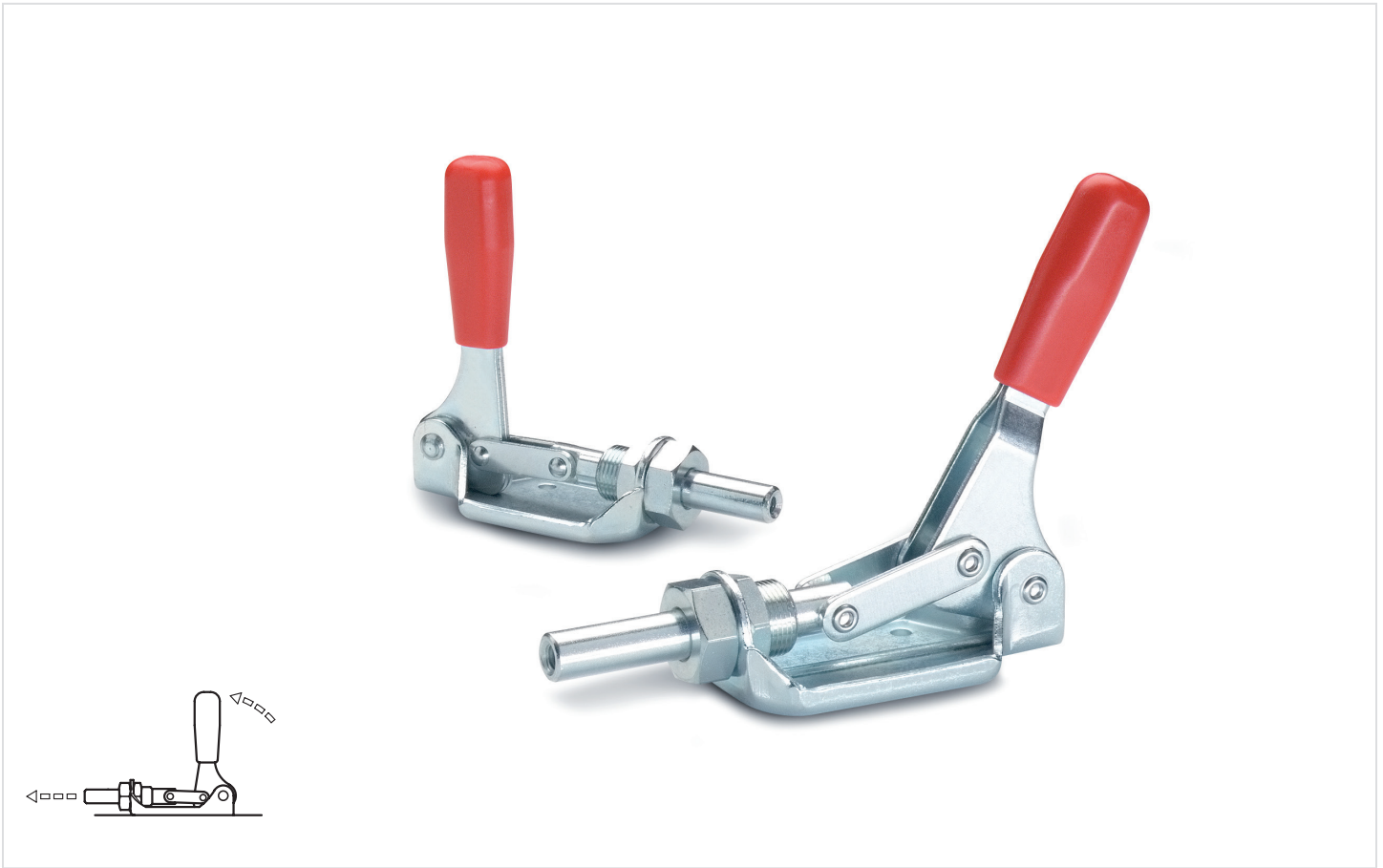
**Information**

In these GN 841 push type toggle clamps the circular movement of the handle is transformed into a straight-line action of the clamp along its axis.

see also...

- General Information on Toggle Clamps → page 756

How to order <b>GN841-120-AS</b>	1	Size
	2	Type



1.1  
1.2  
1.3  
1.4  
2.1  
2.2  
2.3  
2.4

