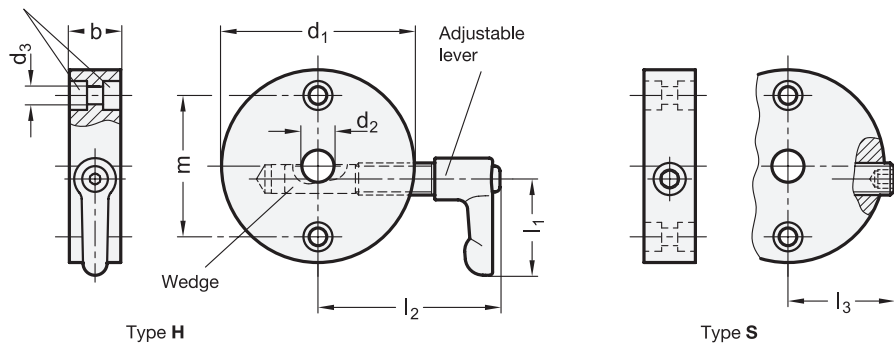
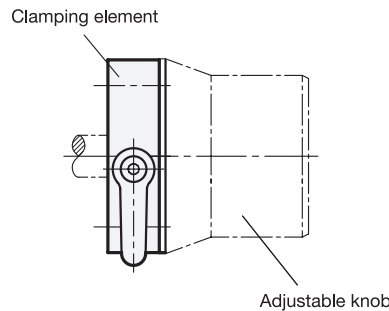


2 bores for socket cap screws #8 / #10 or DIN 912-M4 / M5



3 Type

- H** Clamping screw with adjustable handle
- S** Clamping screw with internal hex



Metric table

Dimensions in: millimeters - inches

1 d_1	2 d_2 H7 Bore		d_3	b	m	l_1	l_2 max. Type H	l_3 max. Type S	
40 1.57	B 8	B 10	-	4.3 .17	16 .63	28 1.10	30 1.18	50 1.97	27 1.06
50 1.97	B 8	B 10	B 12	5.3 .21	16 .63	36 1.42	30 1.18	56 2.20	32 1.26
60 2.36	B 10	B 12	-	5.3 .21	16 .63	44 1.73	30 1.18	61 2.40	36 1.42

Specification

- Aluminum
Black, anodized finish **ELS**
- Wedge
Brass
- Adjustable lever
- Black, RAL 9005, textured finish
- With set screw
Stainless steel AISI 303
- Set screw with internal hex
Stainless steel AISI 303
- *ISO Fundamental Tolerances* → page QVX
- *Stainless Steel Characteristics* → page QVX
- **RoHS compliant**

Information

GN 826 control knob flanges are normally used in connection with control knobs and smaller handwheels.

When using these flanges, spindles can be clamped gently and easily, with little assembly and installation effort. The clamping wedge grips the spindle, preventing maladjustments caused by vibrations, or to keep the spindle securely in place after adjustment.

This flange can also be used to simply lock the spindle in place.

Flange may be mounted so that the clamping lever / clamping screw is positioned either on the left or the right hand side.

GN 711.1 indicator arrows can be attached to the circumference of the control knob flange.

see also...

- *Indicator Arrows GN 711.1 (Self-Adhesive)* → page QVX

How to order	
1 Diameter d_1	
2 Bore d_2	
3 Type	
4 Finish	

GN 826-40-B10-H-ELS