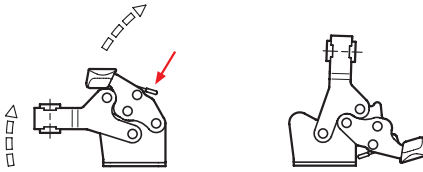


Operating principle



Universal



SS Stainless Steel

2 Type

- M** Without lock mechanism, with two flanged washers
- MC** Without lock mechanism, with two flanged washers and clamping screw GN 708.1
- ML** With lock mechanism, with two flanged washers
- MLC** With lock mechanism, with two flanged washers and clamping screw GN 708.1

Specification



Tensioning mechanism

- Steel **ST**
 - Sheet metal parts
 - Case-hardened steel C10, zinc plated, blue passivated finish
 - Bearing pins tempered
 - Bearing rivets case-hardened
 - Moving parts lubricated with special grease
- Stainless steel **NI**
 - Sheet metal parts AISI 304
 - Bearing pins, bearing rivets AISI 304
 - Moving parts lubricated with special grease

Handle

Plastic
Red, oil resistant

Flanged washers GN 898

- Steel, zinc plated, blue passivated finish (for ST)
- Stainless steel AISI 304 (for NI)

Clamping screws GN 708.1 (Type MC / MLC)

- Steel, zinc plated, blue passivated finish (for ST)
- Stainless steel AISI 304 (for NI)
- Rubber tip
 - 85 Shore A
 - Type A (flat pressure area)

RoHS

Toggle clamps GN 820.6 feature a very compact design.

Types ML / MLC are securely locked while in the clamped position to prevent loosening by accident or due to vibrations. The lock can be released by one hand operation.

see also...

	Page
GN 820 Horizontal Acting Toggle Clamps	QVX

Technical Information

General Information on Toggle Clamps	QVX
Stainless Steel Characteristics	QVX

How to order

GN 820.6-140-MLC-NI

1 Size
2 Type
3 Material

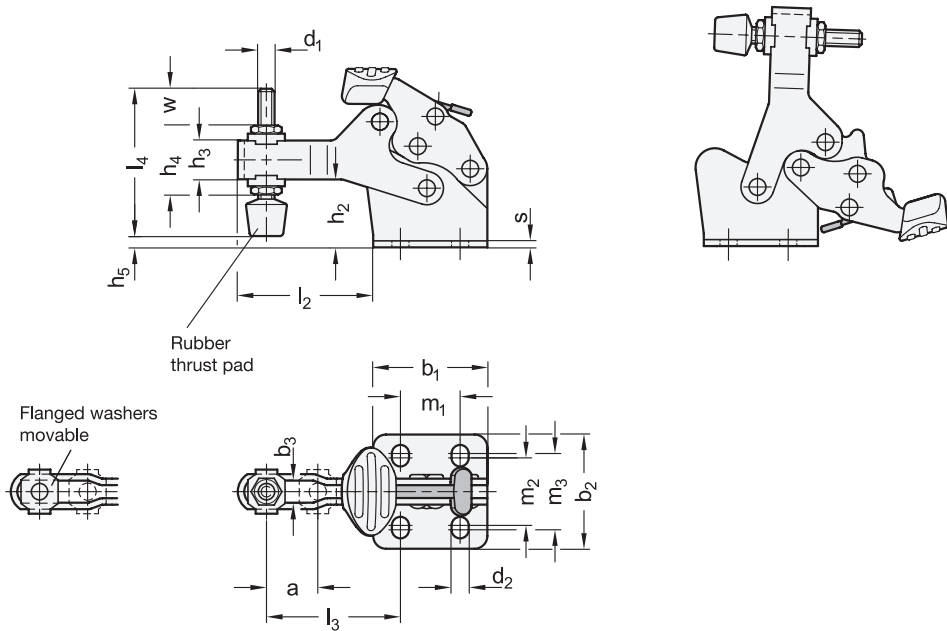
Universal table



Dimensions in: millimeters / inches

Size	F _H Holding capacity	a ≈	b ₁	b ₂	b ₃	d ₁	d ₂	h ₁ ≈	h ₂	h ₃	h ₄ ≈
80	900 N 202 lbf	10 0.39	26 1.02	26 1.02	5.5 0.22	M 5	4.5 0.18	46 1.81	18 0.71	9 0.35	16.5 0.65
140	1300 N 292 lbf	17 0.67	44 1.73	44 1.73	8.5 0.33	M 8	6.6 0.26	69 2.72	26 1.02	15 0.59	26 1.02
250	2400 N 540 lbf	24 0.94	64 2.52	64 2.52	10.5 0.41	M 10	8.7 0.34	96 3.78	34 1.34	20 0.79	35 1.38

Size	h ₅ ≈	l ₁ ≈	l ₂	l ₃ ≈	l ₄	m ₁	m ₂	m ₃	r	s	w ≈ Adjustable range
80	3.2 0.13	57 2.24	31 1.22	32.5 1.28	45 1.77	13.5 0.53	15.5 0.61	16.5 0.65	38 1.50	2 0.08	17.6 0.69
140	2.6 0.10	96 3.78	49 1.93	52.6 2.07	68 2.68	23 0.91	26 1.02	29.5 1.16	62.5 2.46	2.5 0.10	24 0.94
250	6 0.24	131 5.16	67 2.64	72.6 2.86	77 3.03	35 1.38	37.5 1.48	38.5 1.52	89 3.50	3 0.12	21.2 0.83



1.1
1.2
1.3
1.4
2.1
2.2
2.3
2.4

