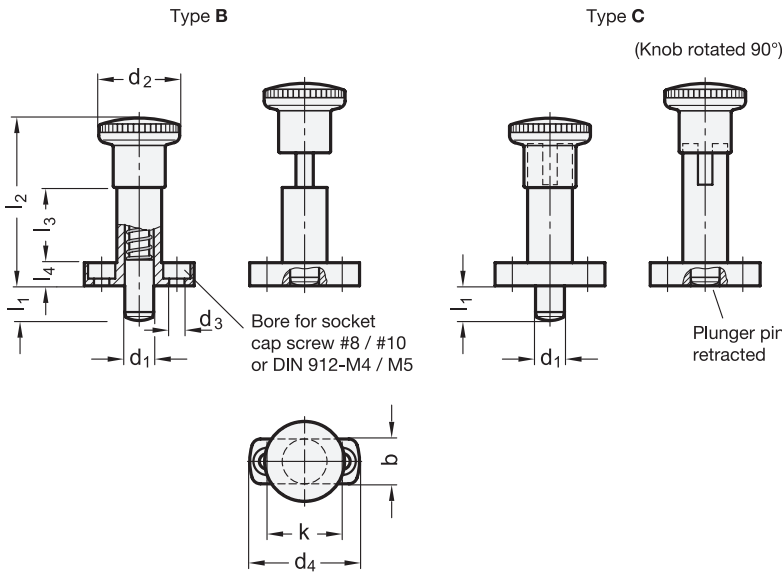


GN 817.1 Indexing Plungers

Zinc Die-Cast, Lock-Out and Non Lock-Out, with Top Mount Flange



3 Type

B Non lock-out
C Lock-out

Metric table

Dimensions in: millimeters - inches

d ₁ Pin -0.02 -0.03 Bore +0.10 +0.03	l ₁	b	d ₂	d ₃	d ₄	k	l ₂	l ₃	l ₄	Spring load ≈	
										Initial	End
6 0.24	6 0.24	13 0.51	23 0.91	4.3 0.17	34 1.34	22 0.87	48 1.89	22 0.87	6 0.24	6.5 N 1.46 lbf	19 N 4.27 lbf
6 0.24	9 0.35	13 0.51	23 0.91	4.3 0.17	34 1.34	22 0.87	48 1.89	22 0.87	6 0.24	6 N 1.35 lbf	25 N 5.62 lbf
8 0.31	8 0.31	16 0.63	28 1.10	5.3 0.21	38 1.50	26 1.02	58 2.28	26 1.02	8 0.31	8.5 N 1.91 lbf	26 N 5.85 lbf
8 0.31	12 0.47	16 0.63	28 1.10	5.3 0.21	38 1.50	26 1.02	58 2.28	26 1.02	8 0.31	8.5 N 1.91 lbf	28 N 6.29 lbf
10 0.39	12 0.47	16 0.63	28 1.10	5.3 0.21	38 1.50	26 1.02	58 2.28	26 1.02	8 0.31	9.5 N 2.14 lbf	38 N 8.54 lbf

Specification

- Body
Zinc die-cast
Powder coated
Black, textured finish
- Plunger pin
Stainless steel AISI 303
Chemically nickel plated
- Knob
Plastic
Technopolymer (Polyamide PA)
- Temperature resistant up to 230 °F (110 °C)
- Black, matte finish
- Red, RAL 3000, matte finish

● RT

- Load Rating Information → page 2103
- Plastic Characteristics → page 2135
- Stainless Steel Characteristics → page 2143
- RoHS compliant

Information

GN 817.1 indexing plungers with lock-out (type C) are used for applications where the plunger pin needs to stay in its retracted position. To achieve this, the knob is rotated by 90 degrees after being retracted. A notch keeps the plunger in the retracted position.

see also...

- List of Indexing Plunger Types → page 915
- Locating Bushings GN 412.2 / GN 412.4 → page 996
- Locating Bushings with Tapered Flange GN 412.3 / GN 412.5 → page 997
- Indexing Plungers GN 608 (Non Lock-Out) → page 964
- Indexing Plungers GN 608.1 (Lock-Out) → page 965
- Mini Indexing Plungers GN 822.8 (Lock-Out and Non Lock-Out) → page 972

How to order (Black knob)	1 Pin diameter d ₁
2	Stroke l ₁
3	Type
GN817.1-8-12-B	
How to order (Red knob)	1 Pin diameter d ₁
2	Stroke l ₁
3	Type
4	Color
GN817.1-6-9-C-RT	

3.1
3.2
3.3
3.4
3.5
3.6
3.7
3.8
3.9
3.10