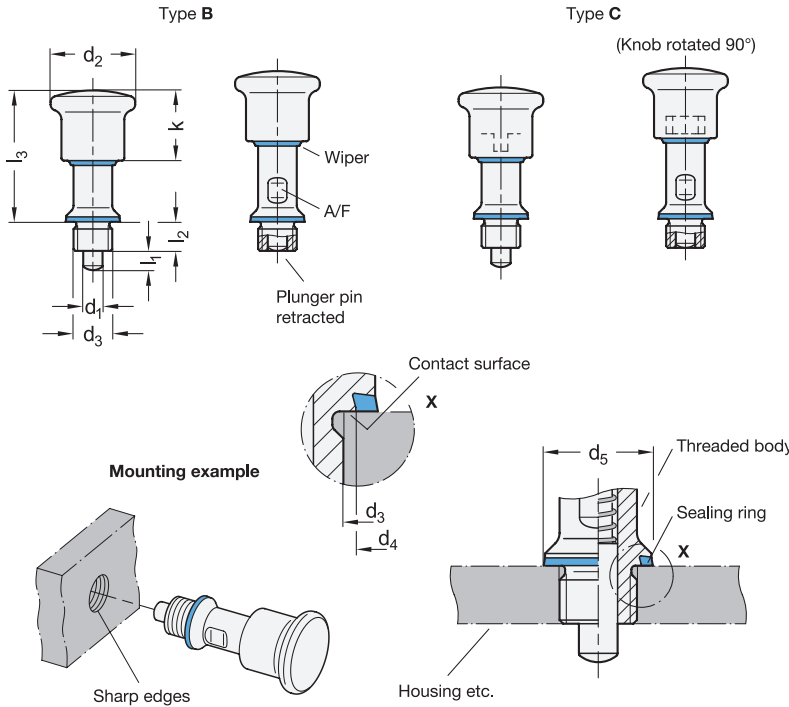


3.1
3.2
3.3
3.4
3.5
3.6
3.7
3.8
3.9
3.10



- 2 Type**
- B** Non lock-out
- C** Lock-out
- 3 Identification**
- FH** Without sealing lock nut, knob side Hygienic Design

Metric table

1

Dimensions in: millimeters / inches

d ₁ Pin f8 Bore H8	d ₂	d ₃	d ₄	d ₅	l ₁	l ₂	l ₃	k	A/F	Spring load ≈	
										Initial	End
6 0.236	35 1.38	M 12 x 1.5	18 0.71	22.8 0.90	6 0.24	12 0.47	50.8 2.00	30 1.18	14 0.55	20 N 4.50 lbf	36 N 8.09 lbf
8 0.315	35 1.38	M 16 x 1.5	18 0.71	22.8 0.90	8 0.31	12 0.47	55.3 2.18	30 1.18	14 0.55	22 N 4.95 lbf	32 N 7.19 lbf

Specification

- Threaded body / Knob / Plunger pin**
- Stainless steel AISI 316
- Plunger pin surface hardened

- Spring**
- Stainless steel AISI 316Ti

- Seals**
- Blue
- FDA compliant material
- Operating temperature -13 °F to +230 °F (-25 °C to +110 °C)
- Sealing ring
- HNBR, hardness 85 ±5 Shore A **H**
- Wiper
- TPU, hardness 95 ±5 Shore A

All moving parts
Lubricated, grease FDA compliant (NSF H1)

RoHS

Technical Information	Page
Product Family Hygienic Design	QVX
List of Indexing Plunger Types	QVX
ISO Fundamental Tolerances	QVX
Plastic Characteristics	QVX
Stainless Steel Characteristics	QVX

Indexing plungers GN 8170 are certified according to the DGVU Test and meet hygienic requirements on the knob side. Wipers between the knob and the threaded body as well as the sealing ring between the threaded body and the housing keep the mechanics on the knob side sealed. The high surface quality (Ra < 0.8 µm) and the free of dead-space mounting prevent dirt from adhering and facilitate cleaning.

Indexing plungers with lock-out (type C) are used for applications where the plunger pin needs to stay in its retracted position. To achieve this, the knob is rotated by 90 degrees after being retracted. A notch keeps the plunger in the retracted position.

Mounting holes and through-holes in the housing must be drilled at a right angle, free of burrs and without a chamfer. This ensures that the sealing rings will function after being mounted.

see also...	Page
GN 8170 Indexing Plungers (Full Hygiene)	QVX

Accessory	Page
GN 7600 Sealing Rings	QVX

How to order

<p>1 2 3 4</p> <p>GN8170-8-C-FH-H</p>	<p>1 Pin diameter d₁</p> <p>2 Type</p> <p>3 Identification</p> <p>4 Sealing ring material</p>
--	--