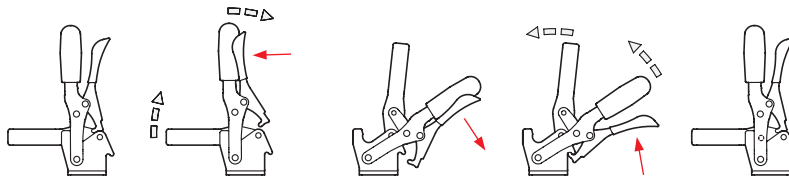


**SS** Stainless Steel

**2 Type**

- AL** U-bar version, with two flanged washers
- CL** U-bar version, with two flanged washers and GN 708.1 spindle assembly
- EL** Solid bar version, with weldable clasp

**Operating principle**



**Specification**

- Toggle clamps Case-hardened steel C10 —
- Zinc plated, blue passivated finish
- Tempered bearing pins
- Case-hardened bearing rivets
- Stainless steel AISI 304 **NI**
- All moving parts lubricated with special grease
- Hand grip High quality, oil resistant red plastic
- Spindle assembly GN 708.1, Type A → page 858
- Steel, zinc plated, blue passivated finish / Stainless steel AISI 304
- Rubber tip 85 shore A
- RoHS compliant

**Accessory**

- Spindle assemblies → starting from page 856
- Clamp mounts GN 801 (for type AL) → www.jwwinco.com
- Clamping arm extenders GN 801.1 (for type AL) → page 860
- Clamping arm extenders GN 801.2 (for type AL) → page 861
- Clamping arm extenders GN 809.1 (for type EL) → page 862

**Information**

GN 810.3 vertical acting toggle clamps have a safety function whereby, during closing, a spring loaded safety hook arm ensures a secure locking connection. It prevents the inadvertent unlocking of the clamp due to vibrations or an accidental attempt of loosening / opening of the clamp. To open and release the toggle clamp from the locked closed position, press the lever arm and safety hook lever together (one hand operation). The toggle clamp is then in the open position which can also be locked temporarily in that position via the hook of the safety hook lever arm to avoid inadvertent closing of the clamp.

They work according to the toggle principle: lever and clamping bar move in the same direction. In the clamped position the operating lever is in its vertical position.

Vertical acting toggle clamps in the U-bar version with two flanged washers (Type AL) can accommodate an application specific clamping screw. A spindle assembly with neoprene rubber tip is also included for Type CL.

Type EL version can either be utilized by welding the clasp which can then accommodate an application specific hold-down fastener component.

**see also...**

- General Information on Toggle Clamps → page 756
- Vertical Acting Toggle Clamps GN 810.10 (Heavy Duty Type „Longlife“) → page 770
- Vertical Acting Toggle Clamps GN 810.4 (with Vertical Mounting Base) → page 766

<b>How to order (Steel)</b>	<b>1</b> Size
<b>GN810.3-230-EL</b>	<b>2</b> Type

<b>How to order (Stainless steel)</b>	<b>1</b> Size
<b>GN810.3-130-CL-NI</b>	<b>2</b> Type
	<b>3</b> Material

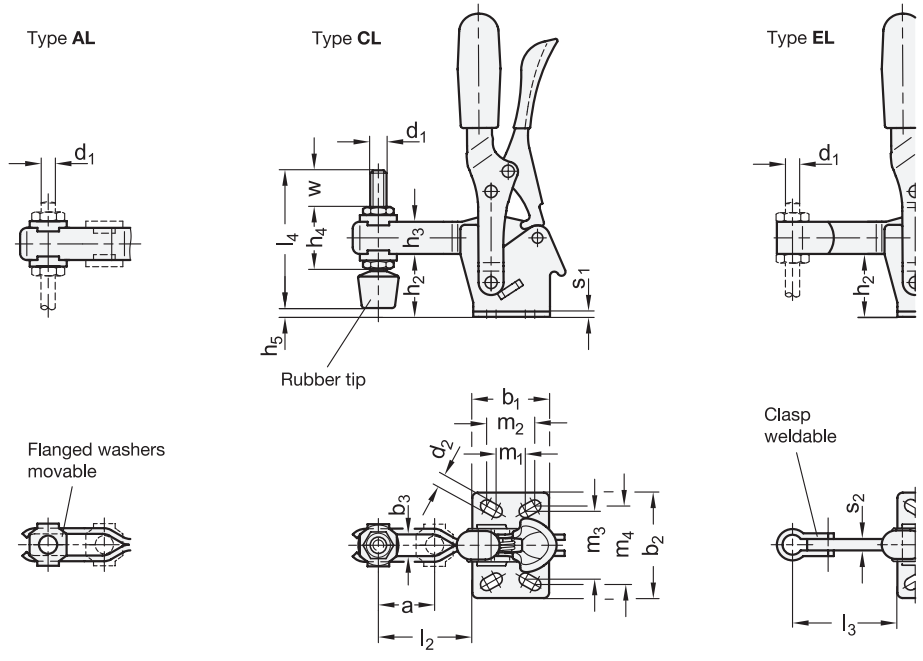
**Universal table**



Dimensions in: millimeters - inches

Size	F <sub>H</sub> Holding capacity	a ≈	b <sub>1</sub>	b <sub>2</sub>	b <sub>3</sub>	d <sub>1</sub> Thread	d <sub>2</sub> ≈	h <sub>1</sub> ≈	h <sub>2</sub>	h <sub>3</sub>	h <sub>4</sub>	h <sub>5</sub>
130	1050 N 236 lbf	28 1.10	35 1.38	42 1.65	6.2 0.24	M 6	5.5 0.22	142 5.59	28 1.10	16 0.63	25.5 1.00	11.3 0.44
230	2000 N 450 lbf	40 1.57	43 1.69	45 1.77	8.5 0.33	M 8	6.5 0.26	168 6.61	33.5 1.32	18 0.71	30 1.18	9.5 0.37

Size	l <sub>1</sub> ≈ Type AL Type CL	Type EL	l <sub>2</sub> ≈	l <sub>3</sub> max.	l <sub>4</sub>	m <sub>1</sub>	m <sub>2</sub>	m <sub>3</sub>	m <sub>4</sub>	r ≈	s <sub>1</sub>	s <sub>2</sub>	w Adjustable range
130	85 3.35	86 3.39	42 1.65	54 2.13	55 2.17	12.5 0.49	19 0.75	27 1.06	29 1.14	79.5 3.13	2.5 0.10	5 0.20	17.5 0.69
230	110.5 4.35	112 4.41	58 2.28	73 2.87	68 2.68	18 0.71	21 0.83	32 1.26	32 1.26	104 4.09	3 0.12	6 0.24	20 0.79



1.1  
1.2  
1.3  
1.4  
2.1  
2.2  
2.3  
2.4

