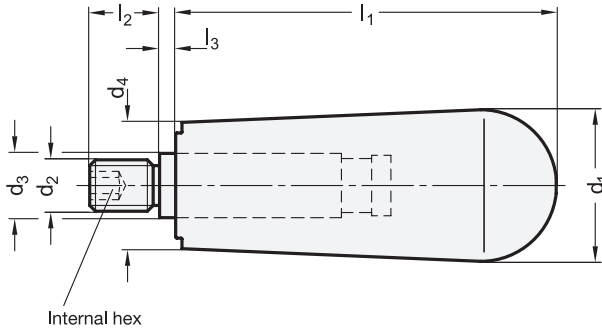


Metric



elesa

Original design I.644-SST-SAN



Metric table

Dimensions in: millimeters / inches

d ₁	d ₂	d ₃	d ₄	l ₁	l ₂	l ₃ ≈
36 1.42	M 8	14 0.55	30 1.18	90 3.54	16 0.63	1.5 0.06

Specification

Handle

Plastic, Polyamide (PA)

- Glass fiber reinforced
- Operating temperature up to 266 °F (130 °C)
- Black-gray, RAL 7021, matte finish
- White, RAL 9016, matte finish

KT

● SGA
○ WSA

Threaded spindle

Stainless steel AISI 304

RoHS

Cylindrical revolving handles EN 798.6 are manufactured from an antimicrobial plastic.

Adding a silver-based substance has created a natural active agent that helps to prevent the growth of bacteria. Even after repeated cleaning with soap or solvent, the antimicrobial effect of this additive will not diminish. Sterilizing at temperatures up to 266 °F (130 °C) will also have no effect on the antimicrobial property.

With these properties, operating parts made of this plastic are the perfect choice for use in medical engineering, in the food and the pharmaceutical industry, and in general wherever hygiene is of great importance.

see also...

	Page
EN 539 Fixed Cylindrical Handles	QVX
GN 598.3 Retractable Handles (with Locking Mechanism)	QVX

Technical Information

Product Family Sanline	QVX
Plastic Characteristics	QVX
Stainless Steel Characteristics	QVX

How to order

1	Material
2	Handle diameter d ₁
3	Thread d ₂
4	Color

EN 798.6-KT-36-M8-SGA

