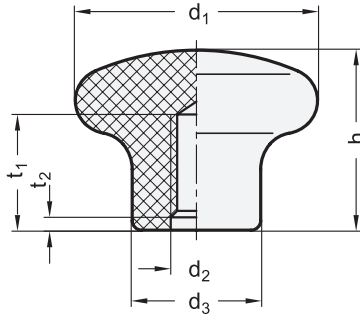


Metric



elesa
Original design P.131

Metric table

¹ d ₁	² d ₂	d ₃	h	t ₁ min.	t ₂ ±0.5
35 1.38	M 8	19 0.75	27 1.06	15 0.59	3.5 0.14
45 1.77	M 10	24 0.94	34 1.34	20 0.79	4 0.16

Dimensions in: millimeters / inches

Specification

- Plastic, Phenolic (PF)
- Operating temperature
-4 °F to +230 °F (-20 °C to +110 °C)
- Black, shiny finish

RoHS

On request

- With threaded stud

Mushroom shaped knobs EN 77 are used for switching in the radial direction. Their size and shape make them easy and safe to grip with the entire hand, meaning that higher operating forces can be transmitted. The mushroom shaped knobs of phenolic resin have good resistance to chemical influences.

Technical Information

Plastic Characteristics

Page

QVX

How to order

EN 77-35-M8

¹ Handle diameter d₁

² Thread d₂