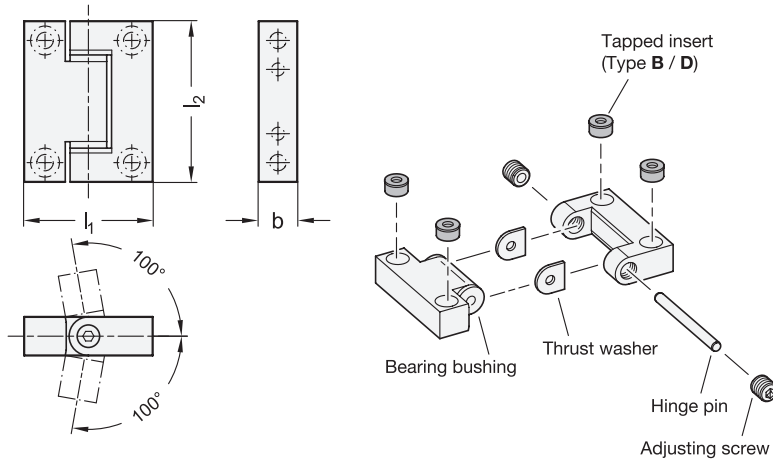


Metric

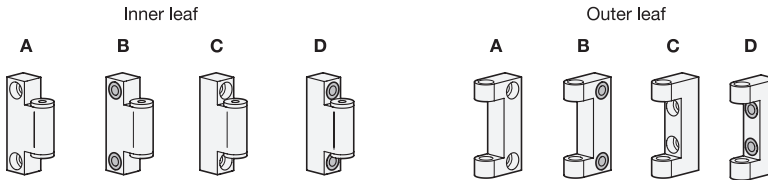


4 Inner leaf type

- A** Tangential fastening with cylindrical recess
- B** Tangential fastening with tapped insert
- C** Radial fastening with cylindrical recess
- D** Radial fastening with tapped insert

5 Outer leaf type

- A** Tangential fastening with cylindrical recess
- B** Tangential fastening with tapped insert
- C** Radial fastening with cylindrical recess
- D** Radial fastening with tapped insert



Metric table

2		3		Dimensions in: millimeters / inches	
l_1		l_2		b	
40	1.57	50	1.97	12	0.47
55	2.17	70	2.76	16	0.63
75	2.95	100	3.94	22	0.87

Specification

Hinge leaves

Aluminum

Anodized finish, black

● **ALS**

Bearing bushings

Bronze

Pin

Stainless steel AISI 420

Thrust washers

Stainless steel AISI 302

Adjusting screws

Stainless steel AISI 303

- With thread locking
- Complete nylon coating

Tapped inserts

Stainless steel AISI 303

RoHS

Technical Information

ISO Fundamental Tolerances

QVX

Stainless Steel Characteristics

QVX

Precision hinges GN 7580 supply a pivoting movement to elements such as swing arms, spacers and clamping plates. The wear-resistant precision hinges feature low radial play and adjustable axial play.

A variety of installation situations can be covered by combining the various inner and outer leaves. Precise positioning can be achieved with dowel pins in the fit bores of the screw-on surfaces.

The bearing bushings and the tapped inserts of types B and D are supplied preassembled in the hinge leaves. The pin, thrust washers and adjusting screws are packaged separately.

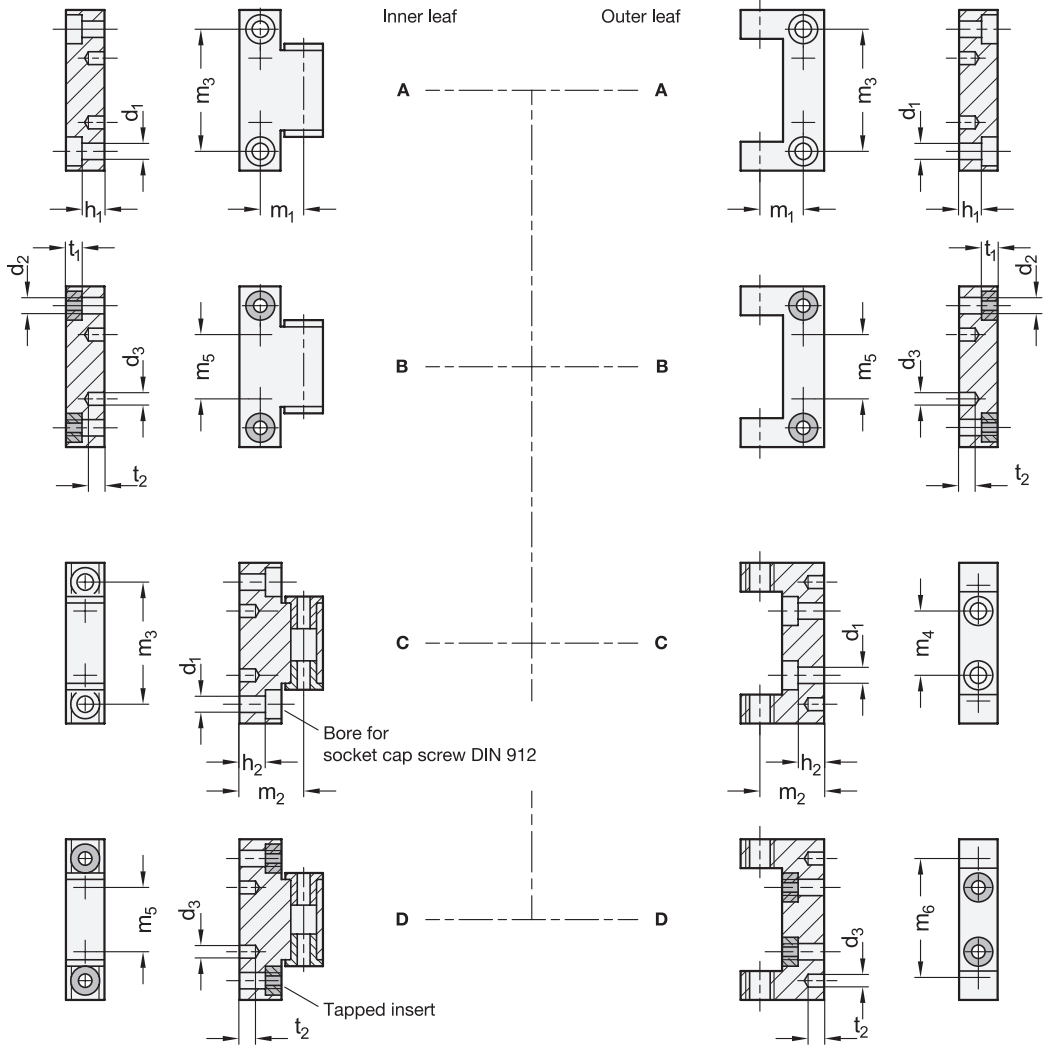
see also...

	Page
GN 237.3 Heavy Duty Hinges (Stainless Steel)	QVX
GN 648.5 Rod End Bearings (Stainless Steel, Tapped Type)	QVX
GN 648.6 Rod End Bearings (Stainless Steel, with Threaded Stem)	QVX

How to order

1 Finish
2 Width l_1
3 Length l_2
4 Inner leaf type
5 Outer leaf type

GN 7580-ALS-55-70-A-C



Metric table

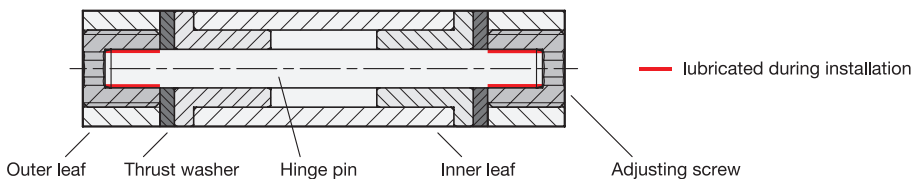
2

3

Dimensions in: millimeters / inches

l_1	l_2	d_1	d_2	d_3 H7	h_1	h_2	m_1	m_2	m_3	m_4	m_5	m_6	t_1	t_2
40 1.57	50 1.97	5.1 0.20	M 5	4 0.157	7 0.28	8.1 0.32	13.5 0.53	20 0.79	38 1.50	20 0.79	20 0.79	40 1.57	5 0.20	9 0.35
55 2.17	70 2.76	6.1 0.24	M 6	5 0.197	10 0.39	12.3 0.48	18 0.71	27.5 1.08	56 2.20	26 1.02	26 1.02	56 2.20	6 0.24	11 0.43
75 2.95	100 3.94	8.1 0.32	M 8	6 0.236	14 0.55	16.8 0.66	25 0.98	37.5 1.48	80 3.15	45 1.77	45 1.77	80 3.15	8 0.31	13 0.51

Assembly Instructions



3.1
3.2
3.3
3.4
3.5
3.6
3.7
3.8
3.9
3.10