

Metric

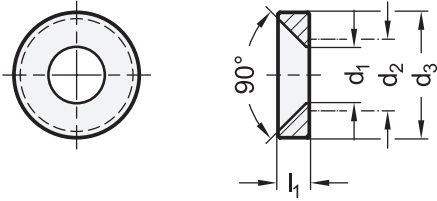


SS Stainless Steel

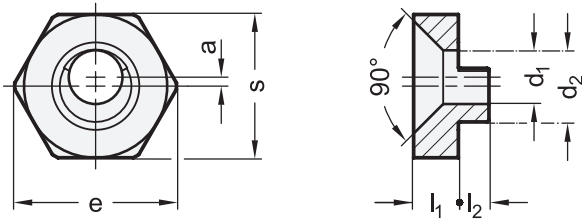
4 Type

- U** Washer
- E** Adjusting washer
- AO** Bushing, no centering
- AE** Bushing, one-sided centering
- AB** Bushing, two-sided centering

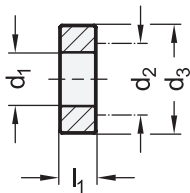
Type U



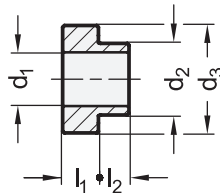
Type E



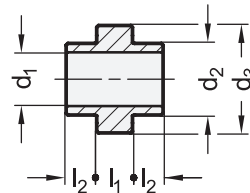
Type AO



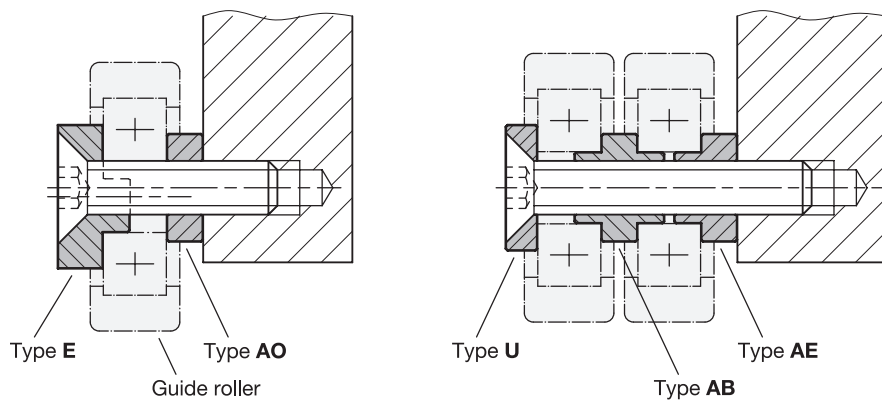
Type AE



Type AB



Application examples



Metric table

Dimensions in: millimeters - inches

Type U						
d ₁	d ₂ Bore guide roller	l ₁	d ₃	Suitable for GN 753 - identification no. 1	GN 753.1 - identification no. 1	For countersunk screws
4 0.16	5 0.20	2.5 0.10	10 0.39	19-B5	22-B5	M 4
5 0.20	6 0.24	3 0.12	12 0.47	19-B6, 22-B6, 26-B6	25-B6	M 5
6 0.24	8 0.31	3.5 0.14	14 0.55	22-B8	30-B8	M 6
8 0.31	10 0.39	4.5 0.18	18 0.71	26-B10	35-B10, 42-B10, 50-B10	M 8

Dimensions in: millimeters - inches

Type E									
d ₁	d ₂ Bore guide roller	l ₁	a	e	l ₂	s	Suitable for GN 753 - identification no. 1	GN 753.1 - identification no. 1	For countersunk screws
4 0.16	5 0.20	3.5 0.14	0.5 0.02	11.3 0.44	2 0.08	10 0.39	19-B5	22-B5	M 4
5 0.20	6 0.24	4 0.16	0.5 0.02	14.7 0.58	2.5 0.10	13 0.51	19-B6, 22-B6, 26-B6	25-B6	M 5
6 0.24	8 0.31	5 0.20	1 0.04	18.1 0.71	3 0.12	16 0.63	22-B8	30-B8	M 6
6 0.24	10 0.39	5 0.20	1 0.04	18.1 0.71	3 0.12	16 0.63	26-B10	35-B10	M 6
8 0.31	10 0.39	6 0.24	1 0.04	23.7 0.93	4 0.16	21 0.83	26-B10	42-B10, 50-B10	M 8

Dimensions in: millimeters - inches

Type AO / AE / AB							
d ₁	d ₂ Bore guide roller	l ₁	d ₃	l ₂ Type AE / AB	Suitable for GN 753 - identification no. 1	GN 753.1 - identification no. 1	For screws
4 0.16	5 0.20	3 0.12	8 0.31	2 0.08	19-B5	22-B5	M 4
5 0.20	6 0.24	3 0.12	10 0.39	2.5 0.10	19-B6, 22-B6, 26-B6	25-B6	M 5
6 0.24	8 0.31	4 0.16	12 0.47	3 0.12	22-B8	30-B8	M 6
8 0.31	10 0.39	3 0.12	14 0.55	3.5 0.14	26-B10	35-B10	M 6
8 0.31	10 0.39	4 0.16	18 0.71	4 0.16	26-B10	42-B10, 50-B10	M 8

Specification

- Stainless steel AISI 303 **NI**
Plain finish
- Stainless Steel Characteristics → page QVX
- RoHS

Information

Mounting accessories GN 753.2 are designed for guide rollers GN 753.1 and GN 753. With washers of type U, guide rollers are fastened compactly and elegantly with a countersunk screw. Washers of type E feature an eccentric fastening hole to allow the radial adjustment of guide rollers.

With bushings of types AO, AE and AB, one or more guide rollers can be mounted with defined spacing between them or relative to the mounting surface. The centering collar in types AE and AO positions the bushings and ensures positive locking with the mounting bore.

see also...

- Guide Rollers GN 753.1 → page QVX
- Guide Rollers GN 753 → page QVX

How to order GN 753.2-8-10-4-AE-NI	1 Bore d ₁
	2 Bore d ₂ (Guide roller)
	3 Length l ₁
	4 Type
	5 Material