

EN 747

with Exposed Seal

EN 747.2

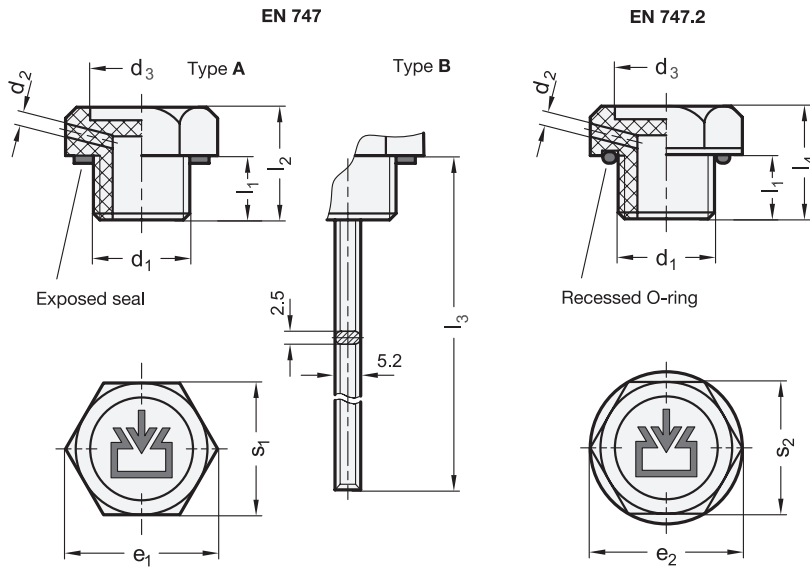
with Recessed O-Ring

Fluid Fill Plugs

Plastic, with or without Dipstick

**JWWINCO®**

A Ganter Company



Inch | Metric

**elesa**

Original design TCD. / TCR.

2 Type

- A** Without dipstick
- B***** With dipstick

3 Identification no.

- 1** Without vent hole
- 2** With vent hole

Specification

- Body
Plastic
Technopolymer (Polyamide PA)
- Glass fiber reinforced
- Black, matte finish
- Temperature resistant up to 212 °F (100 °C)
- **EN 747**
Seal
Rubber NBR (Perbunan®)
- **EN 747.2** (only available in metric sizes in type A)
O-ring
Rubber NBR (Perbunan®)
- Dipstick
Steel, phosphate-treated
- *Elastomer Characteristics* → page 2135
- *Plastic Characteristics* → page 2135
- **RoHS compliant**

On request

- Fluid level markings / special lengths
see GN 109 → page 2045

Information

The dipstick of EN 747 fluid fill plugs has two flat sides on which the MIN-MAX markings can easily be applied (see GN 109 → page 2045).

see also...

- *Fluid Fill / Drain Plugs GN 741 / GN 742 (Aluminum)* → page 1674
- *Threaded Plugs EN 745 (without Symbol)* → page 1668

How to order (With exposed seal)

1 2 3
EN 747-1/4NPT-A-1

- | | |
|----------|--|
| 1 | Pipe thread d ₁ (Fine thread d ₁) |
| 2 | Type |
| 3 | Identification no. |

How to order (With recessed O-ring)

1 2 3
EN 747.2-G1/2-A-1

- | | |
|----------|----------------------------|
| 1 | Pipe thread d ₁ |
| 2 | Type |
| 3 | Identification no. |

Inch table



Dimensions in: inches - millimeters

d ₁ EN 747 Pipe thread	d ₂ Vent hole	d ₃	e ₁ ≈	l ₁	l ₂	s ₁
1/4 NPT**	0.08 2	0.59 15	0.85 21.5	0.35 9	0.63 16	0.75 19
3/8 NPT**	0.08 2	0.67 17	0.98 25	0.35 9	0.63 16	0.87 22
1/2 NPT**	0.08 2	0.81 20.5	1.16 29.5	0.43 11	0.71 18	1.02 26
3/4 NPT**	0.08 2	0.98 25	1.44 36.5	0.47 12	0.79 20	1.26 32

Metric table



Dimensions in: millimeters - inches

d ₁ EN 747				EN 747.2	d ₂	d ₃	e ₁ ≈	e ₂ ≈	l ₁	l ₂	l ₃	l ₄	s ₁	s ₂
Pipe thread	Fine thread			Pipe thread	Vent hole									
G 1/8*	M 10 x 1.5*	M 12 x 1.5*	-	-	2 0.08	15 0.59	21.5 0.85	-	9 0.35	16 0.63	120 4.72	-	19 0.75	-
G 1/4*	M 14 x 1.5*	-	-	G 1/4	2 0.08	15 0.59	21.5 0.85	22 0.87	9 0.35	16 0.63	120 4.72	17 0.67	19 0.75	19 0.75
G 3/8	M 16 x 1.5	-	-	G 3/8	2 0.08	17 0.67	25 0.98	25.5 1.00	9 0.35	16 0.63	120 4.72	18 0.71	22 0.87	22 0.87
G 1/2	M 18 x 1.5	M 20 x 1.5	-	G 1/2	2 0.08	20.5 0.81	29.5 1.16	32 1.26	11 0.43	18 0.71	195 7.68	20 0.79	26 1.02	27 1.06
G 3/4	M 22 x 1.5	M 25 x 1.5	M 26 x 1.5	G 3/4	2 0.08	25 0.98	36.5 1.44	37 1.46	12 0.47	20 0.79	195 7.68	22 0.87	32 1.26	32 1.26
G 1	M 35 x 1.5	-	-	G 1	2 0.08	31 1.22	44 1.73	44 1.73	13 0.51	22 0.87	195 7.68	23 0.91	38 1.50	38 1.50
G 1 1/4	M 40 x 1.5	-	-	G 1 1/4	2 0.08	38 1.50	52.5 2.07	53.5 2.11	14 0.55	24 0.94	195 7.68	26 1.02	46 1.81	46 1.81
G 1 1/2	-	-	-	G 1 1/2	2 0.08	46 1.81	63 2.48	63.5 2.50	15 0.59	26 1.02	195 7.68	28 1.10	55 2.17	55 2.17

*Not available in type B-2 **Only available in type A ***Only available for EN 747

