

GN 743.7

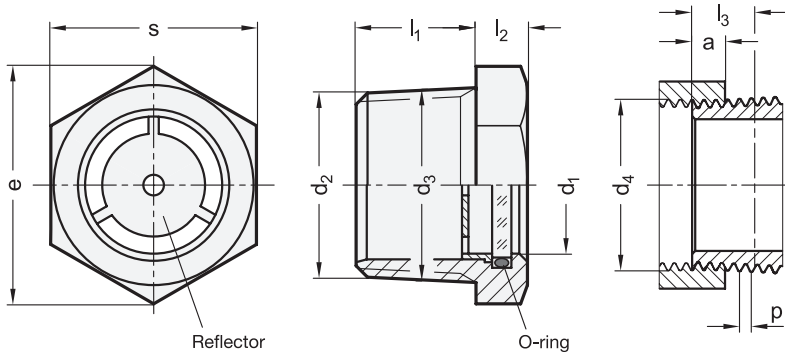
Resistant up to 212 °F

GN 743.8

Resistant up to 356 °F

Fluid Sight Glasses

Brass, with Conical BSPT or NPT Thread



3 Type

- A With reflector
- B Without reflector

Metric table

1 2

Dimensions in: millimeters - inches

d ₁	d ₂ External thread Conical	a Reference level	d ₃ at "a"	d ₄ Internal thread		e	l ₁	l ₂	l ₃ Usable thread length	p Thread pitch	s
				Cylindrical	Conical						
11 0.43	R 3/8	6.4 0.25	16.7 0.66	Rp 3/8	-	22 0.87	13 0.51	6 0.24	10.1 0.40	1.34 0.05	19 0.75
11 0.43	3/8 NPT	6.1 0.24	17.1 0.67	-	3/8 NPT	22 0.87	15 0.59	6 0.24	-	1.41 0.06	19.1 0.75
14 0.55	R 1/2	8.2 0.32	21 0.83	Rp 1/2	-	27.5 1.08	17 0.67	7 0.28	13.2 0.52	1.81 0.07	24 0.94
14 0.55	1/2 NPT	8.1 0.32	21.2 0.83	-	1/2 NPT	27.5 1.08	16 0.63	7 0.28	-	1.81 0.07	23.8 0.94
18 0.71	R 3/4	9.5 0.37	26.4 1.04	Rp 3/4	-	31 1.22	18 0.71	8 0.31	14.5 0.57	1.81 0.07	27 1.06
18 0.71	3/4 NPT	8.6 0.34	26.6 1.05	-	3/4 NPT	33 1.30	18 0.71	8 0.31	-	1.81 0.07	28.6 1.13
24 0.94	R 1	10.4 0.41	33.2 1.31	Rp 1	-	40.5 1.59	21 0.83	9 0.35	16.8 0.66	2.30 0.09	36 1.42
24 0.94	1 NPT	10.2 0.40	33.7 1.33	-	1 NPT	41.5 1.63	22 0.87	8 0.31	-	2.21 0.09	34.9 1.37
32 1.26	R 1 1/4	12.7 0.50	42 1.65	Rp 1 1/4	-	53 2.09	24 0.94	9 0.35	19.1 0.75	2.30 0.09	46 1.81
32 1.26	1 1/4 NPT	10.7 0.42	42.2 1.66	-	1 1/4 NPT	51.5 2.03	23 0.91	9 0.35	-	2.21 0.09	44.5 1.75

Specification

- Brass body
CuZn40Pb2
- Plastic reflector
Technopolymer (Polysulfon)
- **GN 743.7**
 - Temperature resistant up to 212 °F (100 °C)
 - Float glass sight glass
 - O-ring
Rubber NBR (Perbunan®)
- **GN 743.8**
 - Temperature resistant up to 356 °F (180 °C)
 - ESG safety glass sight glass
 - O-ring
Rubber FPM (Viton®)
Identification by non-black coloring of the seal
- RoHS compliant

On request

- EPDM O-rings

Information

The conical thread of GN 743.7 and GN 743.8 fluid sight glasses makes a metallic seal possible. When tightened, the conical external thread R wedges itself within the corresponding internal thread Rp.

At the reference level "a", the external thread has the same thread diameter as the internal thread, so that it can be fastened in by hand up to "a". The tightening with a tool increases the screw-in length and seals the screw connection. In addition, a sealant (fibrous or teflon tape) is usually used. The "R" thread is "roughened", so that the sealant does not shift when screwing in.

These fluid sight glasses can also be used on pressurized tanks. Tests regarding maximum pressure are available.

see also...

- *Further Characteristics of these Fluid Sight Glasses under GN 743.2 / GN 743.3 → page 1641*

How to order (Resistant up to 212 °F)	1 Diameter d ₁
1 2 3 GN 743.7-24-R1-A	2 Thread d ₂
	3 Type
How to order (Resistant up to 356 °F)	1 Diameter d ₁
1 2 3 GN 743.8-18-3/4NPT-B	2 Thread d ₂
	3 Type