

EN 740

with Exposed Seal

EN 740.2

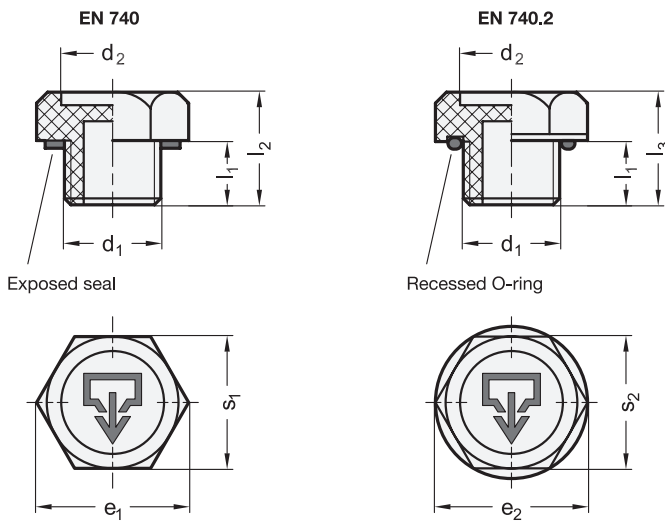
with Recessed O-Ring

Fluid Drain Plugs

Plastic, Red

**JWWINCO®**

A Ganter Company



Inch | Metric


elesa
 Original design TSD. / TSR.
Specification

- Body
Plastic
Technopolymer (Polyamide PA)
- Glass fiber reinforced
- Red, similar to RAL 3000, matte finish
- Temperature resistant up to 212 °F (100 °C)
- **EN 740**
Seal
Rubber NBR (Perbunan®)
- **EN 740.2** (only available in metric sizes)
O-ring
Rubber NBR (Perbunan®)
- *Elastomer Characteristics* → page 2135
- *Plastic Characteristics* → page 2135
- **RoHS compliant**

Information

EN 740 and EN 740.2 fluid drain plugs are supplied in red color as standard.

see also...

- *Threaded Plugs EN 745 (without Symbol)* → page 1668
- *Fluid Fill / Drain Plugs GN 741 / GN 742 (Aluminum)* → page 1674

How to order (With exposed seal)

1
EN 740-1/4NPT

1 Pipe thread d₁ (Fine thread d₁)

How to order (With recessed O-ring)

1
EN 740.2-G1/2

1 Pipe thread d₁

Inch table



Dimensions in: inches - millimeters

d ₁ EN 740 Pipe thread	d ₂	e ₁ ≈	l ₁	l ₂	s ₁
1/4 NPT	0.59 15	0.85 21.5	0.35 9	0.63 16	0.75 19
3/8 NPT	0.67 17	0.98 25	0.35 9	0.63 16	0.87 22
1/2 NPT	0.81 20.5	1.16 29.5	0.43 11	0.71 18	1.02 26
3/4 NPT	0.98 25	1.44 36.5	0.47 12	0.79 20	1.26 32

Metric table



Dimensions in: millimeters - inches

d ₁ EN 740 Pipe thread		EN 740.2 Pipe thread		d ₂	e ₁ ≈	e ₂ ≈	l ₁	l ₂	l ₃	s ₁	s ₂	
G 1/8	M 10 x 1.5	M 12 x 1.5	-	15 0.59	21.5 0.85	-	9 0.35	16 0.63	-	19 0.75	-	
G 1/4	M 14 x 1.5	-	-	G 1/4	15 0.59	21.5 0.85	22 0.87	9 0.35	16 0.63	17 0.67	19 0.75	19 0.75
G 3/8	M 16 x 1.5	-	-	G 3/8	17 0.67	25 0.98	25.5 1.00	9 0.35	16 0.63	18 0.71	22 0.87	22 0.87
G 1/2	M 18 x 1.5	M 20 x 1.5	-	G 1/2	20.5 0.81	29.5 1.16	32 1.26	11 0.43	18 0.71	20 0.79	26 1.02	27 1.06
G 3/4	M 22 x 1.5	M 25 x 1.5	M 26 x 1.5	G 3/4	25 0.98	36.5 1.44	37 1.46	12 0.47	20 0.79	22 0.87	32 1.26	32 1.26
G 1	M 35 x 1.5	-	-	G 1	31 1.22	44 1.73	44 1.73	13 0.51	22 0.87	23 0.91	38 1.50	38 1.50
G 1 1/4	M 40 x 1.5	-	-	G 1 1/4	38 1.50	52.5 2.07	53.5 2.11	14 0.55	24 0.94	26 1.02	46 1.81	46 1.81
G 1 1/2	-	-	-	G 1 1/2	46 1.81	63 2.48	63.5 2.50	15 0.59	26 1.02	28 1.10	55 2.17	55 2.17

3.1
3.2
3.3
3.4
3.5
3.6
3.7
3.8
3.9
3.10

