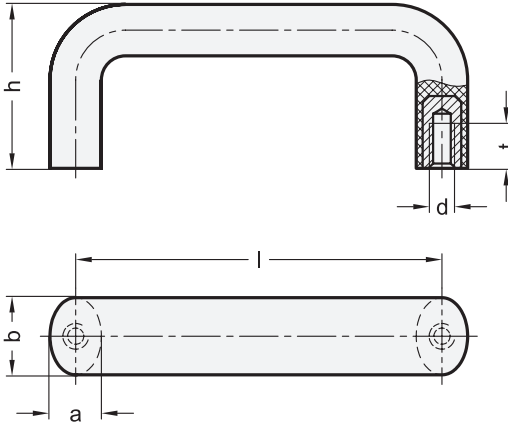


Inch | Metric



elesa
Original design M.643 / M.643 HT

Specification

3

Handle

- Plastic, Polypropylene (PP) —
- Shock-resistant
- Operating temperature
-4 °F to +212 °F (-20 °C to +100 °C)
- Black, matte finish
- Plastic, Polyamide (PA)
- Glass fiber reinforced
- Operating temperature
-4 °F to +392 °F (-20 °C to +200 °C) **HT**
- Black-gray, matte finish

Tapped inserts

Brass

RoHS

On request

- Various metric and inch size fasteners and kit packaging

Cabinet U-handles EN 725 are well known for their smooth ergonomically shaped elliptical design. High impact strength. Resistant to solvents, oils, grease and other chemical agents.

see also...

	Page
GN 565 Cabinet U-Handles (Aluminum)	QVX
EN 625 Cabinet U-Handles (Polyamide)	QVX
EN 525 Cabinet U-Handles (Phenolic Plastic)	QVX

Technical Information

Strength Values	QVX
Plastic Characteristics	QVX

How to order (Inch, -4 °F to +212 °F)

EN 725-132-5/16X18

1 Length l

2 Thread d

How to order (Metric, -4 °F to +392 °F)

EN 725-86-M6-HT

1 Length l

2 Thread d

3 Material

1.1
1.2
1.3
1.4
2.1
2.2
2.3
2.4



Inch table



Dimensions in: inches / millimeters

Length l	d Standard material (PP)	a	b	h	t min.
3.39 ±0.02 86 ±0.5	1/4 x 20	0.55 14	0.91 23	1.73 44	0.47 12
4.61 ±0.02 117 ±0.5	5/16 x 18	0.59 15	0.98 25	1.93 49	0.51 13
5.20 ±0.02 132 ±0.5	5/16 x 18	0.63 16	1.02 26	2.13 54	0.51 13
5.91 ±0.04 150 ±1	5/16 x 18	0.63 16	1.06 27	2.20 56	0.51 13
7.05 ±0.04 179 ±1	5/16 x 18	0.63 16	1.06 27	2.24 57	0.51 13

Metric table



Dimensions in: millimeters / inches

Length l	d						a	b	h	t min.				
	Standard material (PP)				HT material (PA)					M4	M5	M6	M8	M10
86 ±0.5 3.39 ±0.02	M 5	M 6	-	-	M 6	-	14 0.55	23 0.91	44 1.73	-	10 0.39	12 0.47	-	-
94 ±0.5 3.70 ±0.02	M 5	M 6	-	-	-	-	14 0.55	24 0.94	48 1.89	-	10 0.39	12 0.47	-	-
117 ±0.5 4.61 ±0.02	M 4	M 5	M 6	M 8	M 6	M 8	15 0.59	25 0.98	49 1.93	10 0.39	10 0.39	12 0.47	13 0.51	-
120 ±0.5 4.72 ±0.02	M 5	M 6	M 8	-	-	-	15 0.59	25 0.98	49 1.93	-	10 0.39	12 0.47	13 0.51	-
132 ±0.5 5.20 ±0.02	M 5	M 6	M 8	-	-	-	16 0.63	26 1.02	54 2.13	-	10 0.39	12 0.47	13 0.51	-
150 ±1 5.91 ±0.04	M 6	M 8	M 10	-	-	-	16 0.63	27 1.06	56 2.20	-	-	12 0.47	13 0.51	17 0.67
160 ±1 6.30 ±0.04	M 6	M 8	M 10	-	-	-	16 0.63	27 1.06	55 2.17	-	-	12 0.47	13 0.51	17 0.67
179 ±1 7.05 ±0.04	M 8	M 10	-	-	M 8	-	16 0.63	27 1.06	57 2.24	-	-	-	13 0.51	17 0.67
235 ±1 9.25 ±0.04	M 8	M 10	-	-	-	-	18.5 0.73	29 1.14	61 2.40	-	-	-	13 0.51	17 0.67
300 ±1 11.81 ±0.04	M 10	-	-	-	-	-	22 0.87	32 1.26	64 2.52	-	-	-	-	17 0.67