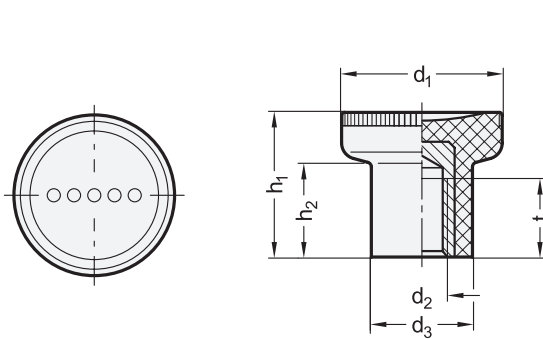


Metric



elesa

Original design EKK-SST-VD/MD



Metric table

Dimensions in: millimeters / inches					
¹ d ₁	² d ₂	d ₃	h ₁	h ₂	t min.
21 0.83	M 5	12.5 0.49	18 0.71	10.5 0.41	10 0.39
31 1.22	M 8	18.5 0.73	27 1.06	17 0.67	15 0.59

Specification ³

Knob

- Plastic, Polyamide (PA)
- Glass fiber reinforced
- Operating temperature -22 °F to +266 °F (-30 °C to +130 °C)
- FDA compliant material
- Visually detectable, blue, RAL 5005 Matte finish ● VDB
- Metal detectable, blue, RAL 5001 Matte finish ● MDB

Tapped insert

Stainless steel AISI 303

RoHS

Knurled knobs EN 676 are made of blue plastic granulate that is FDA compliant as per FDA CFR.21 and EU 10/2011 as well as visually detectable or metal detectable.

The blue color is especially easy to see with the human eye and is also easy to detect with optical monitoring systems. This allows monitoring of the production process, such as in food production, so that the process can be interrupted if foreign bodies are detected.

The plastic of version MDB contains metal detectable additives. Metal detectors will be triggered by this material from a particle volume of about 0.007628 in³ (0.125 cm³), meaning that even hidden plastic chips can be detected.

see also...

	Page
EN 676 Knurled Knobs	QVX
GN 676.5 Push / Pull Knobs (Stainless Steel)	QVX
GN 676.1 Push / Pull Knobs (Steel, Blackened Finish)	QVX
GN 676.2 Push / Pull Knobs (Steel, Zinc Plated)	QVX

Technical Information

Product Family Standard Parts made of Detectable Plastics	QVX
Product Family Ergostyle®	QVX
Plastic Characteristics	QVX
Stainless Steel Characteristics	QVX

How to order

¹ ² ³
EN 676-31-M8-MDB

- 1 Knob diameter d₁
- 2 Thread d₂
- 3 Material / Finish

1.1
1.2
1.3
1.4
2.1
2.2
2.3
2.4

