

**GN 676.1**

Steel, Blackened Finish

**GN 676.2**

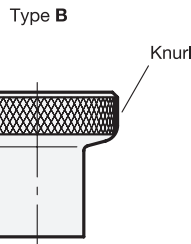
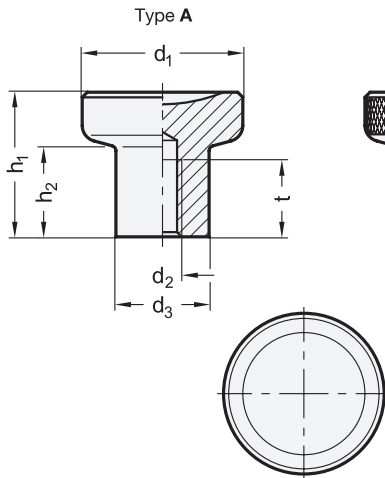
Steel, Zinc Plated

**GN 676.5**

Stainless Steel

**Push / Pull Knobs**

with Tapped Blind Hole

**JW WINCO®**  
A Ganter Company

Metric

**SS** Stainless Steel**3 Type**

- A** Without knurl
- B** With knurl

**Metric table**

1		2		Dimensions in: millimeters / inches		
d <sub>1</sub>	d <sub>2</sub>		d <sub>3</sub>	h <sub>1</sub>	h <sub>2</sub>	t min.
21 0.83	M 4	M 5	12.5 0.49	18 0.71	10.5 0.41	10 0.39
25 0.98	M 6	M 8	14.5 0.57	22.5 0.89	14 0.55	12 0.47
31 1.22	M 8	-	18.5 0.73	27 1.06	17 0.67	15 0.59
31 1.22	M 10	-	18.5 0.73	27 1.06	17 0.67	17 0.67

**Specification****GN 676.1**

Steel, blackened finish

**GN 676.2**

Steel, zinc plated, blue passivated finish

**GN 676.5**

Stainless steel AISI 303

Matte shot-blasted finish

RoHS

Knobs GN 676.1 / GN 676.2 / GN 676.5 are used in applications where a push or pull movement is required. Their concave top gives a more comfortable thumb grip.

The knurled model (Type B) can be used as an attractively shaped knurled knob.

**see also...**

	Page
<b>EN 676</b> Knurled Knobs (Plastic)	QVX
<b>EN 676</b> Knurled Knobs (Detectable Plastic)	QVX
<b>EN 676</b> Knurled Knobs (Antibacterial Plastic)	QVX
<b>GN 75</b> Mushroom Shaped Knobs (Steel)	QVX
<b>GN 75.5</b> Mushroom Shaped Knobs (Stainless Steel)	QVX

**Technical Information**

Stainless Steel Characteristics

QVX

How to order (Steel, blackened finish)

1 2 3  
**GN 676.1-21-M5-B**

- |   |                                |
|---|--------------------------------|
| 1 | Handle diameter d <sub>1</sub> |
| 2 | Thread d <sub>2</sub>          |
| 3 | Type                           |

How to order (Steel, zinc plated)

1 2 3  
**GN 676.2-25-M6-B**

- |   |                                |
|---|--------------------------------|
| 1 | Handle diameter d <sub>1</sub> |
| 2 | Thread d <sub>2</sub>          |
| 3 | Type                           |

How to order (Stainless steel)

1 2 3  
**GN 676.5-31-M10-A**

- |   |                                |
|---|--------------------------------|
| 1 | Handle diameter d <sub>1</sub> |
| 2 | Thread d <sub>2</sub>          |
| 3 | Type                           |

1.1  
1.2  
1.3  
1.4  
2.1  
2.2  
2.3  
2.4