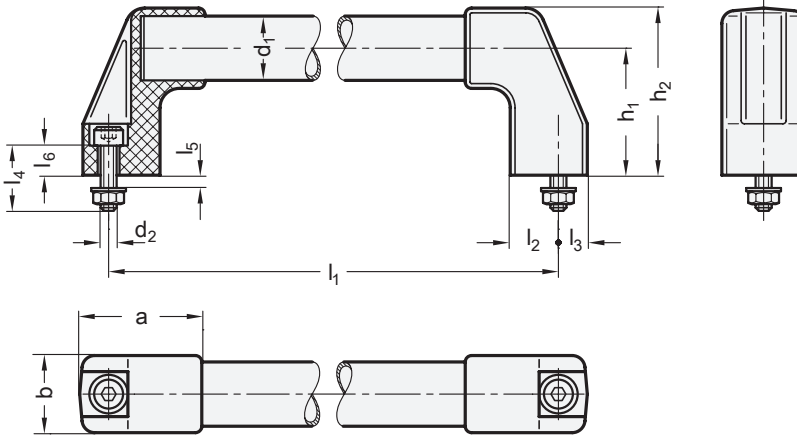


Metric



Metric table

Dimensions in: millimeters / inches

d ₁	l ₁ ±1							a	b	d ₂	h ₁	h ₂	l ₂	l ₃	l ₄	l ₅ max.	l ₆
20	180	200	250	300	350	400	-	48	28	M 8	45	58	19	10	25	6	9.5
0.79	7.09	7.87	9.84	11.81	13.78	15.75		1.89	1.10		1.77	2.28	0.75	0.39	0.98	0.24	0.37
30	300	350	400	500	600	700	1000	57	38	M 10	60	78	23	12	35	9	14.5
1.18	11.81	13.78	15.75	19.69	23.62	27.56	39.37	2.24	1.50		2.36	3.07	0.91	0.47	1.38	0.35	0.57

Specification

Handle tube

Wall thickness 1.5 mm

• Aluminum

- Powder coated

Black, RAL 9005, textured finish

● **SW**

- Anodized finish, natural color

● **EL**

• Stainless steel AISI 304

Ground, matte shiny finish

● **NG**

End pieces

Plastic, Polyamide (PA)

• Glass fiber reinforced

• Operating temperature up to 212 °F (100 °C)

• Black, matte finish

Fastening set

Stainless steel AISI 304

• Socket cap screws DIN 4762

• Hex nuts ISO 4032

• Washers DIN 125

RoHS

On request

• Special lengths

• Supports for handles with longer spans or greater loads

• Various metric size fasteners and kit packaging

Tubular grip handles GN 667 are very versatile, because special lengths of handles can be ordered complete in smaller quantities. If desired, end pieces may be ordered individually to make your own special length of handle.

see also...

	Page
EN 767 Tubular Handles (Powder Coated Tube)	QVX
EN 767.1 Tubular Handles (Anodized Tube)	QVX
GN 667.2 Tubular Grip Handles (Mounting from the Back)	QVX

Technical Information

Load Capacity Information QVX

Plastic Characteristics QVX

Stainless Steel Characteristics QVX

How to order (Aluminum tube)

GN 667-20-200-EL

1	Handle diameter d ₁
2	Length l ₁
3	Finish

How to order (Stainless steel tube)

GN 667-30-1000-NG

1	Handle diameter d ₁
2	Length l ₁
3	Finish

1.1
1.2
1.3
1.4
2.1
2.2
2.3
2.4

