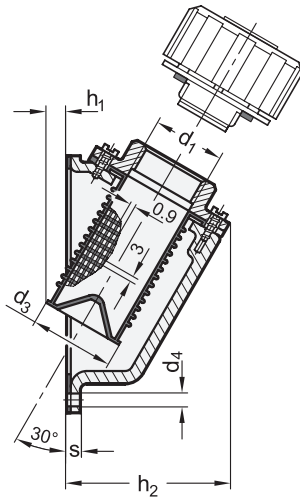
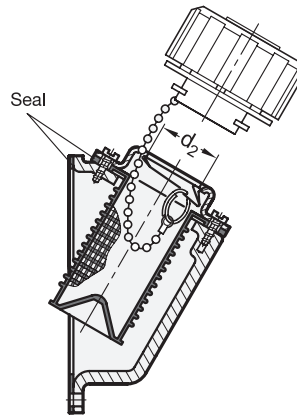


1) Breather caps
EN 663 / EN 774 / EN 774.1
with thread



1) Breather caps
EN 663 / EN 774
with bayonet mount (BA)



Metric table

Dimensions in: millimeters - inches

d₁ Pipe thread	d₂ Bayonet mount	d₃	d₄	h₁	h₂	l₁	l₂	s
G 1 1/4	BA 39	49 1.93	7 0.28	18 0.71	92 3.62	148 5.83	117 4.61	7 0.28

Specification

- Threaded flange
Plastic
Technopolymer (Polyamide PA)
- Glass fiber reinforced
- Black, matte finish
- Filler strainer
Plastic
Technopolymer (Polypropylene PP)
- Black, matte finish
- Temperature resistant up to 194 °F (90 °C)
- Flange for bayonet mounting
Steel, zinc plated, blue passivated finish
- Seal
Cork, impregnated with rubber
- *Plastic Characteristics* → page QVX
- **RoHS compliant**

On request

- Mounting flange without filler strainer

Information

EN 664.1 filler strainers have a mounting flange for threaded or bayonet mount (BA) mounting of the breather cap. The strainer prevents the penetration of coarse impurities during the filling process.

The side flange is mounted to the container wall with 7 M6 screws. During assembly, it is important that the mounting screws are not overtightened (max. torque 8 Nm) to prevent deformation of the flange and thus impairment of the seal.

The M6 mounting screws for the side flange are not included.

1) Breather caps are to be ordered separately.

see also...

- *Filler Strainers EN 664 (Vertical Installation)* → page QVX
- *Breather Caps EN 663* → page QVX
- *Breather Valve Caps EN 774* → page QVX
- *Breather Check Valve Caps EN 774.1* → page QVX

How to order	1	Pipe thread d ₁ (Bayonet mount d ₂)
EN 664.1-G11/4		



Filler Strainers EN 664.1 with Breather Caps

Front view with hole pattern

