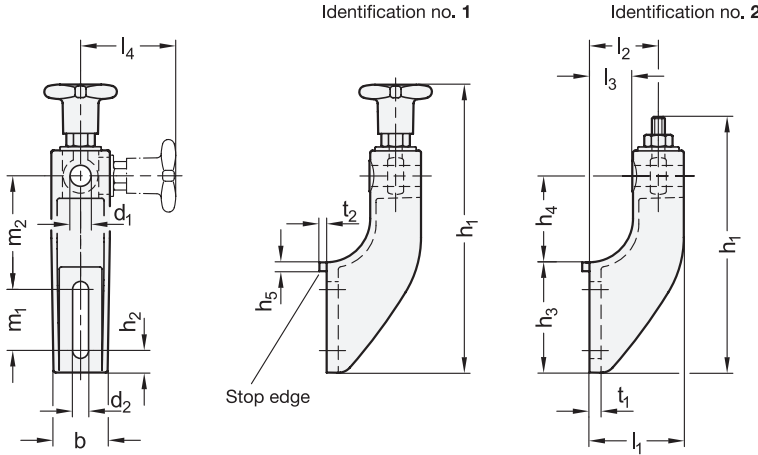


3.1
3.2
3.3
3.4
3.5
3.6
3.7
3.8
3.9
3.10



Metric



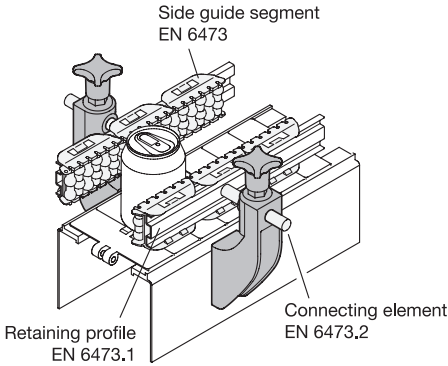
elesa
Original design SP.F.V / SP.F.D

SS Stainless Steel

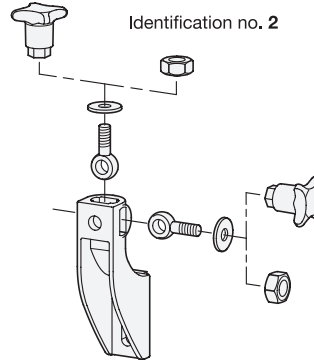
1 Identification no.

- 1 With hand knob
- 2 Without hand knob

Application example



Identification no. 1



Metric table

2

3

Dimensions in: millimeters / inches

| d ₁ | | | h ₁ | | b | d ₂ | h ₂ | h ₃ | h ₄ | h ₅ | l ₁ | l ₂ | l ₃ | l ₄ | m ₁ | m ₂ | t ₁ | t ₂ |
|----------------|------|------|----------------|-----------|------|----------------|----------------|----------------|----------------|----------------|----------------|----------------|----------------|----------------|----------------|----------------|----------------|----------------|
| | | | Id. no. 1 | Id. no. 2 | | | | | | | | | | | | | | |
| D 12 | D 14 | D 16 | 198 | 173 | 37 | 11 | 15 | 76 | 60 | 4 | 65 | 47 | 30 | 63 | 42 | 79 | 8 | 2.5 |
| | | | 7.80 | 6.81 | 1.46 | 0.43 | 0.59 | 2.99 | 2.36 | 0.16 | 2.56 | 1.85 | 1.18 | 2.48 | 1.65 | 3.11 | 0.31 | 0.10 |

Specification

Bracket

- Plastic, polyamide (PA)
- Glass fiber reinforced
- Operating temperature -22 °F to 212 °F (-30 °C to +100 °C)
- Black, matte finish

Hand knob (Identification no. 1)

- Plastic, polyamide (PA)
- Glass fiber reinforced
- Black, matte finish
- Brass tapped insert

Hex nut (Identification no. 2)

Stainless steel AISI 304

Swing bolt / Washer

Stainless steel AISI 304

RoHS

Side guide brackets EN 6476 fasten side guides or side guide segments to conveyor sections. This also requires the use of connecting elements EN 6473.2, retaining profiles EN 6473.1 or side guide clamps EN 6475.3, EN 6475.4 or EN 6475.5.

The stop edge facilitates horizontal alignment on the conveyor system. The swing bolt with the hand knob or the hex nut can be attached to the side guide bracket either on top or on the side to respond to different space conditions.

Technical Information

| | Page |
|---------------------------------|------|
| Plastic Characteristics | QVX |
| Stainless Steel Characteristics | QVX |

How to order

EN 6476-1-D12-198

- 1 Identification no.
- 2 Diameter d₁
- 3 Height h₁