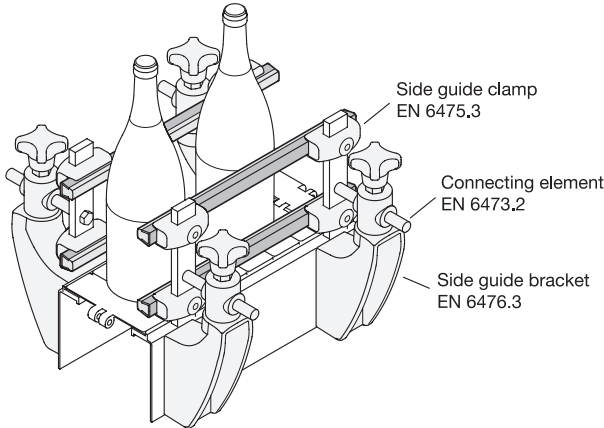


Application example



Metric



elesa

Original design GLR / GLT

SS Stainless Steel

1 Type

T Retaining profile trapezoidal

Metric table

2 r		3 Length l		4 b	h	Dimensions in: millimeters / inches	Packaging unit
7	20	1500	3000	18	17		2
0.28	0.79	59.06	118.11	0.71	0.67		

Specification

Guide profile

- Plastic, polyethylene (PE)
- Operating temperature
-4 °F to 194 °F (-20 °C to 90 °C)
- Shock resistant
- White

Retaining profile

Stainless steel AISI 304

RoHS

Accessory

Page

EN 6475.3 Side Guide Clamps	QVX
EN 6475.4 Side Guide Clamps	QVX
EN 6475.5 Side Guide Clamps	QVX

Side guides EN 6475.1 are attached to the sides of conveyor sections and guide the conveyed goods smoothly without damage. The rounded guide contour establishes line contact with the conveyed goods.

Due to the materials used, the side guides are ideal for use in corrosive environments. They are fastened using the trapezoidal retaining profile with side guide clamps EN 6475.3, EN 6475.4 or EN 6475.5.

The side guides are delivered in packaging units of 2 pieces each. They can be shortened as needed.

see also...

	Page
EN 6475 Side Guides (Guide Contour Flat)	QVX
EN 6475.2 Side Guides (Guide Contour Flat, Stepped)	QVX
EN 6476 Side Guide Bracket (Rigid, with Contact Edge)	QVX
EN 6476.2 Side Guide Bracket (Swiveling, with Contact Edge)	QVX
EN 6476.3 Side Guide Bracket (Swiveling)	QVX

Technical Information

Plastic Characteristics	QVX
Stainless Steel Characteristics	QVX

How to order

1 Type
2 Radius r
3 Length l
4 Width b

EN 6475.1-T-20-3000-18

3.1
3.2
3.3
3.4
3.5
3.6
3.7
3.8
3.9
3.10