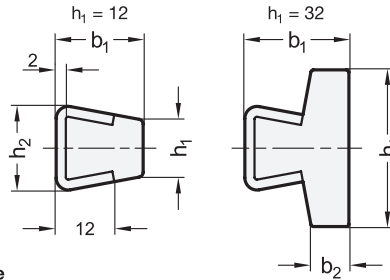


Application example



Metric



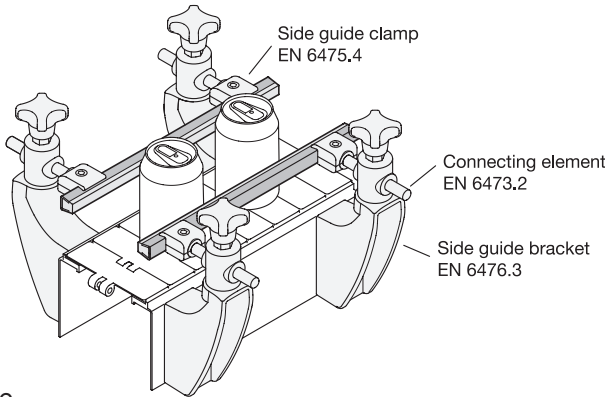
elesa

Original design GLP / GLP-HT

SS Stainless Steel

1 Type

T Retaining profile trapezoidal



Metric table

h <sub>1</sub>		Length l		b <sub>1</sub>	h <sub>2</sub>	b <sub>2</sub>	Packaging unit
Nominal size	Actual dimension						
12 0.47	11.6 0.46	1500 59.06	3000 118.11	18 0.71	17 0.67	-	2
32* 1.26	31.7 1.25	1500 59.06	3000 118.11	21 0.83	17 0.67	7.6 0.30	2

Dimensions in: millimeters / inches

\* Only available in PE

Specification

Guide profile

- Plastic, Polyethylene **PE**
  - Operating temperature -4 °F to 194 °F (-20 °C to 90 °C)
  - Shock resistant
  - White
- Plastic, Polytetrafluorethylene (PTFE) **HT**
  - Operating temperature -328 °F to 500 °F (-200 °C to 260 °C)
  - Shock resistant
  - White

Retaining profile

Stainless steel AISI 304

RoHS

Accessory

Accessory	Page
EN 6475.3 Side Guide Clamps	QVX
EN 6475.4 Side Guide Clamps	QVX
EN 6475.5 Side Guide Clamps	QVX

Side guides EN 6475 are attached to the sides of conveyor sections and guide the conveyed goods smoothly without damage.

Due to the materials used, the side guides are ideal for use in corrosive environments. They are fastened using the trapezoidal retaining profile with side guide clamps EN 6475.3, EN 6475.4 or EN 6475.5.

The side guides are delivered in packaging units of 2 pieces each. They can be shortened as needed.

see also...

	Page
EN 6475.1 Side Guides (Guide Contour Rounded)	QVX
EN 6475.2 Side Guides (Guide Contour Flat, Stepped)	QVX
EN 6476 Side Guide Bracket (Rigid, with Contact Edge)	QVX
EN 6476.2 Side Guide Bracket (Swiveling, with Contact Edge)	QVX
EN 6476.3 Side Guide Bracket (Swiveling)	QVX

Technical Information

Plastic Characteristics	QVX
Stainless Steel Characteristics	QVX

How to order

1	Type
2	Height h <sub>1</sub> (Nominal size)
3	Length l
4	Width b <sub>1</sub>
5	Material

**EN 6475-T-12-1500-18-HT**

3.1  
3.2  
3.3  
3.4  
3.5  
3.6  
3.7  
3.8  
3.9  
3.10