

Metric

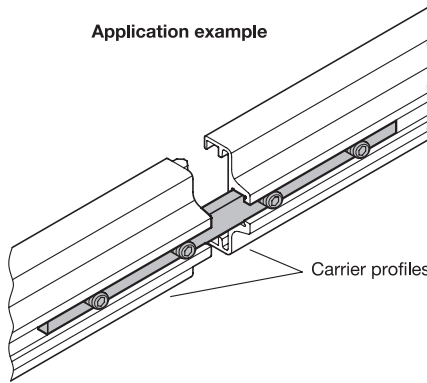


elesa

Original design BDG-SST

SS Stainless Steel

Application example



Metric table

Dimensions in: millimeters / inches

¹ b	² l ₁	l ₂	l ₃	t
12 0.47	180 7.09	22.5 0.89	45 1.77	5 0.20

Specification

Stainless steel AISI 304

RoHS

³

NI

Connecting strips EN 6471.3 are used to extend or connect side guides EN 6471 and EN 6472. They are mounted on the end face by sliding into the T-slots of the side guide to be connected using the supplied set screws.

see also...

EN 6471 Side Guides

EN 6472 Side Guides

Page

QVX

QVX

Technical Information

Stainless Steel Characteristics

QVX

How to order

EN 6471.3-12-180-NI

- ¹ Width b
- ² Length l₁
- ³ Material

3.1
3.2
3.3
3.4
3.5
3.6
3.7
3.8
3.9
3.10