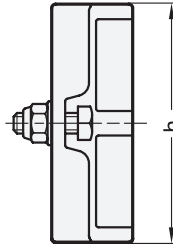
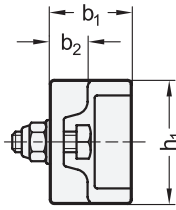
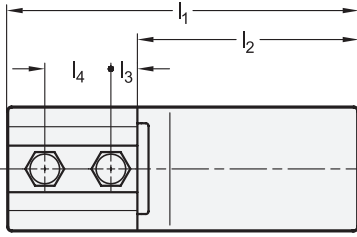


Identification no. 1

Identification no. 2

Metric



elesa

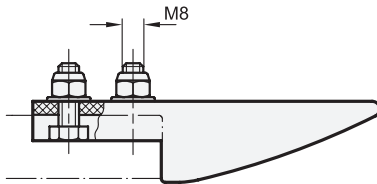
Original design PGL-1 / PGL-2

SS

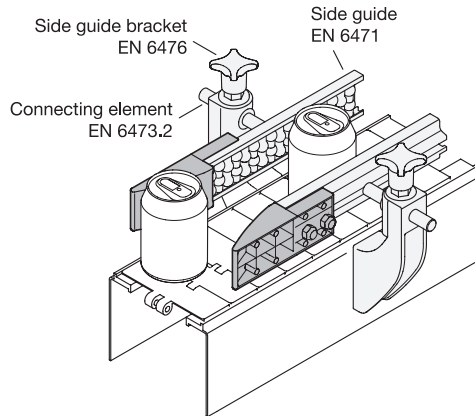
Stainless Steel

1 Identification no.

- 1 Single row
- 2 Double row



Application example



Metric table

2

Dimensions in: millimeters / inches

l ₁	b ₁	b ₂	h ₁		l ₂	l ₃	l ₄
			Id. no. 1	Id. no. 2			
135 5.31	31.5 1.24	15.3 0.60	47.5 1.87	93 3.66	85 3.35	11 0.43	25 0.98

Specification

3

4

Guide

Plastic, Polyethylene

PE

- Operating temperature
-4 °F to 194°F (-20 °C to 90 °C)
- Gray

● **GR**

Hex head screws / nuts

Stainless steel AISI 304

RoHS

Technical Information

- Plastic Characteristics QVX
- Stainless Steel Characteristics QVX

Lead-in guides EN 6471.1 extend side guides EN 6471 and ensure a smooth material flow. They are mounted on the end face by sliding into the T-slot of the side guide using the supplied nuts.

see also...

	Page
EN 6471 Side Guides	QVX
EN 6476 Side Guides Brackets	QVX
EN 6473.2 Connecting Elements	QVX

How to order

EN 6471.1-1-135-PE-GR

- 1** Identification no.
- 2** Length l₁
- 3** Material
- 4** Color