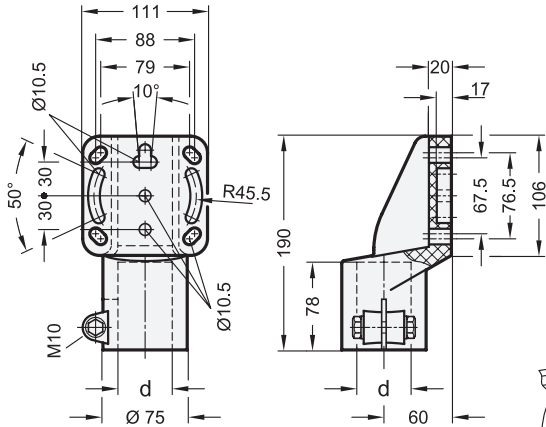
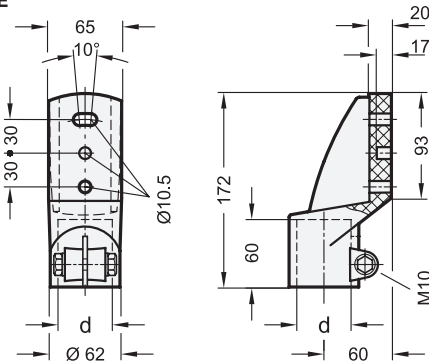


Type D



Type E



Metric



elesa

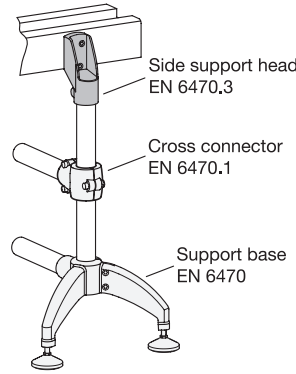
Original design TSLA / TSLB

SS Stainless Steel

2 Type

- D With 4 slotted holes
- E With 2 bores

Application example



Metric table



Dimensions in: millimeters / inches

d		
Bore		Pipe size (inch)
Type D	Type E	DIN EN 10220 / EN 10255
B 42.4	-	1 1/4"
B 48.3	B 48.3	1 1/2"
B 60.3	-	2"

Specification

Support head

- Plastic, polyamide (PA)
- Glass fiber reinforced
- Operating temperature -22 °F to 212 °F (-30 °C to +100 °C)
- Black, matte finish

Clamping set

- Stainless steel AISI 304
- Hex head screw DIN 931
- Hex nut DIN 934
- Washers DIN 125

RoHS

On request

Type D with square 45 x 45

Side support heads EN 6470.3 are used in combination with boiler or threaded tubes to build transport systems or work tables. They connect the structure, e.g. with conveyor belts or control panels, laterally or parallel to the tube axis.

see also...

	Page
EN 6470 Support Bases	QVX
EN 6470.1 Cross Connectors	QVX
EN 6470.2 Support Heads	QVX

Technical Information

Plastic Characteristics	QVX
Stainless Steel Characteristics	QVX

How to order

EN 6470.3-B60.3-D

- 1 Bore d
- 2 Type