

Metric



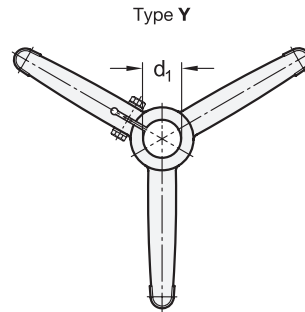
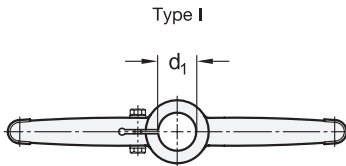
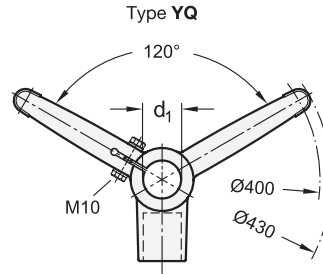
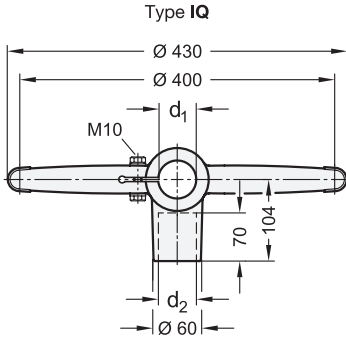
elesa

Original design BAS2 / BAS3 / BAG2

SS Stainless Steel

1 Type

- I Straight
- IQ Straight for cross connection
- Y Y-shaped
- YQ Y-shaped for cross connection



Metric table

2

d ₁	
Bore	Pipe size (inch) DIN EN 10220 / EN 10255
B 42.4	1 1/4"
B 48.3	1 1/2"
B 48.3	1 1/2"
B 60.3	2"
B 60.3	2"

3

Dimensions in: millimeters / inches

d ₂	
Bore	Pipe size (inch) DIN EN 10220 / EN 10255
Type IQ / YQ	
B 42.4	1 1/4"
B 48.3	1 1/2"
B 42.4	1 1/4"
B 48.3	1 1/2"

Specification

Base

- Plastic, polyamide (PA)
- Glass fiber reinforced
- Operating temperature -22 °F to 212 °F (-30 °C to +100 °C)
- Black, matte finish

Clamping set

- Stainless steel AISI 304
- Hex head screws DIN 931
- Hex nuts DIN 934
- Washers DIN 125

RoHS

Technical Information

Page

Plastic Characteristics	QVX
Stainless Steel Characteristics	QVX

Support bases EN 6470 are used in combination with boiler or threaded tubes to build transport systems or work tables. Threads (M16) are provided on the bottom to accommodate adjustment or leveling feet.

Support bases of types IQ and YQ allow the connection of two support legs with defined distance to stabilize the structure.

How to order

EN 6470- I -B60.3

1 Type

2 Bore d₁

How to order (For cross connectors)

EN 6470-YQ-B42.4-B42.4

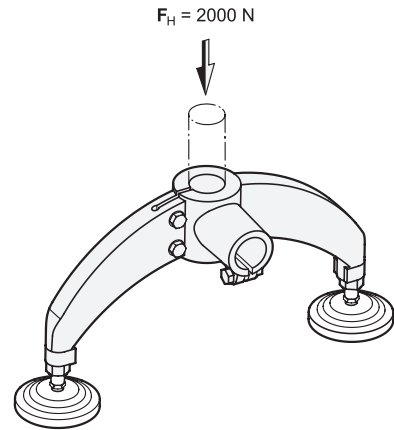
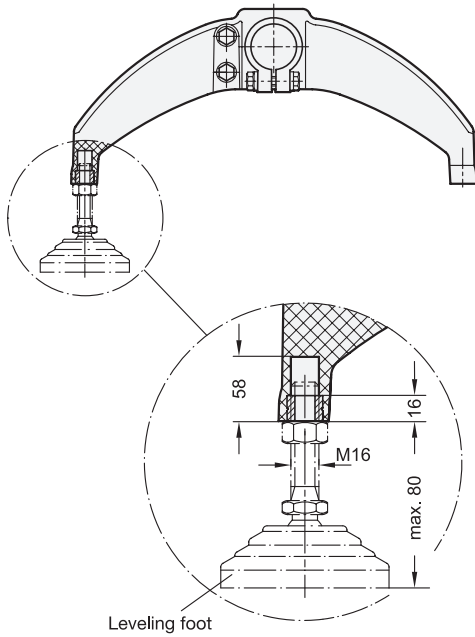
1 Type

2 Bore d₁

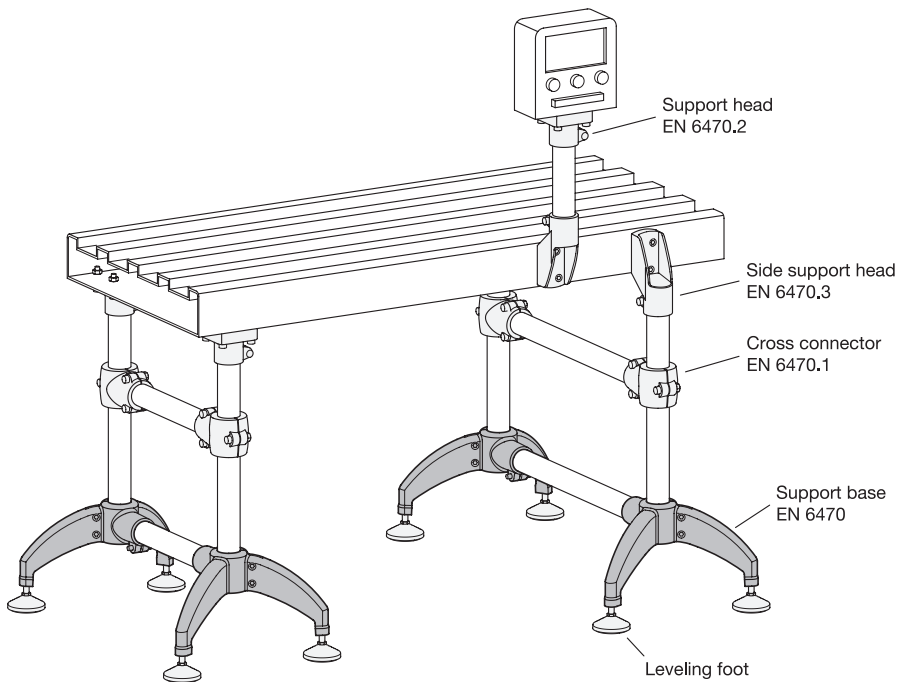
3 Bore d₂

Mounting Information

The adjustment or leveling feet are installed as shown in the outline. The maximum projection of the leveling feet must not be exceeded.



Application Examples



3.1
3.2
3.3
3.4
3.5
3.6
3.7
3.8
3.9
3.10

