

DIN 6336

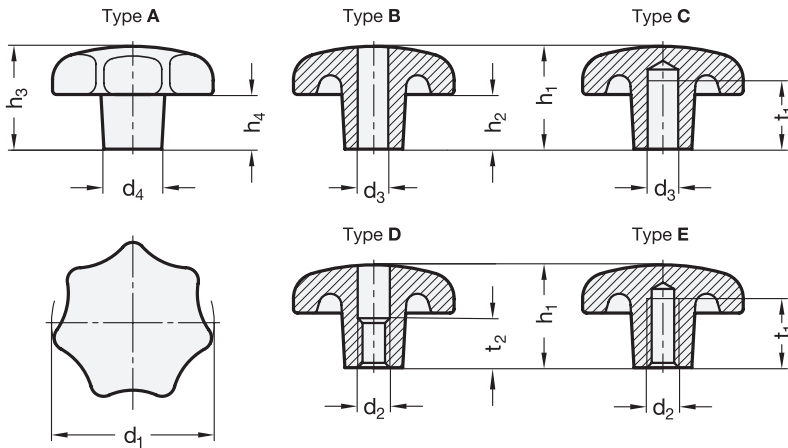
Cast Iron / Stainless Steel / Aluminum

Star Knobs

with Tapped or Plain Bore, or Blank Type



JW WINCO
A Ganter Company



SS Stainless Steel

4 Type

- A Blank type
- B With plain through bore, tol. H7
- C With plain blind bore, tol. H7
- D With tapped through bore
- E With tapped blind bore

Specification

• Cast iron	GG	1	5
- Fettled and tumbled			—
- Zinc plated, blue passivated finish (only available in Type D and E in metric sizes)			ZB
• Stainless steel precision casting AISI CF-8	NI		
Matte shot-blasted finish (only available in Type A, D, E)			
• Aluminum, forged	AL		
- Matte, tumbled finish			MT
Flash mark not visible (only available in Type A, C, D, E)			
- Polished finish			PL
(only available in Type C, D, E in metric sizes)			
• Metric ISO Threads DIN 13 → page 2126			
• ISO Fundamental Tolerances → page 2129			
• Stainless Steel Characteristics → page 2143			
• RoHS compliant			

Information

The diverse line of DIN 6336 metal star knobs with tapped blind and through bores, plain blind and through bores along with the blank casting types in cast iron, stainless steel and aluminum extend the range of application solutions. They are an excellent choice for virtually any heavy duty clamping application for indoor or outdoor requirements.

see also...

- Star Knobs DIN 6336 (Plastic) → page 576
- Star Knobs GN 6336.1 (Phenolic Plastic, with Protruding Hub) → page 574
- Star Knobs GN 6336.2 (Technopolymer Plastic, with Protruding Hub) → page 574
- Star Knobs DIN 6336 with Loss Protection GN 111.7 → page 2046

On request

- Powder coated
- Special inch or metric bores, threads, set screw holes, cross pin holes, drilled and pinned threaded studs and stud tips

How to order (Blank type)	1 Material
DIN 6336-AL-50-A	2 Handle diameter d_1
	4 Type

How to order (Inch, cast iron)	1 Material
DIN 6336-GG-63-1/2X13-E	2 Handle diameter d_1
	3 Thread d_2 (Bore d_3)
	4 Type

How to order (Metric, aluminum)	1 Material
DIN 6336-AL-40-B8-C-PL	2 Handle diameter d_1
	3 Bore d_3 (Thread d_2)
	4 Type
	5 Finish

Inch table

Dimensions in: inches - millimeters

d₁			d₂		d₃ +0.001		d₄	h₁	h₂ min.	h₃	h₄ min.	t₁ min.		t₂
GG	NI	AL	Thread Type D / Type E		Bore Type B / Type C							Type B, C, D, E	Type B, C, D, E	
1.26 32	1.26 32	-	1/4 x 20	-	B 1/4	-	0.47 12	0.79 20	0.35 9	0.83 21	0.39 10	0.47 12	0.47 12	0.39 10
1.57 40	1.57 40	1.57 40	5/16 x 18	-	B 5/16	-	0.55 14	0.98 25	0.47 12	1.02 26	0.51 13	0.59 15	0.59 15	0.51 13
1.97 50	1.97 50	1.97 50	5/16 x 18	3/8 x 16	B 5/16	B 3/8	0.71 18	1.26 32	0.59 15	1.34 34	0.67 17	0.71 18	0.71 18	0.63 16
2.48 63	2.48 63	2.48 63	3/8 x 16	-	-	-	0.79 20	1.57 40	0.75 19	1.65 42	0.83 21	0.87 22	0.71 18	0.79 20
2.48 63	2.48 63	2.48 63	1/2 x 13	-	B 3/8	B 1/2	0.79 20	1.57 40	0.75 19	1.65 42	0.83 21	0.87 22	0.87 22	0.79 20
3.15 80	-	3.15 80	1/2 x 13	5/8 x 11	B 1/2	B 5/8	0.98 25	1.97 50	0.91 23	2.05 52	0.98 25	1.10 28	-	0.79 20

Metric table

Dimensions in: millimeters - inches

d₁			d₂		d₃ H7		d₄	h₁	h₂ min.	h₃	h₄ min.	t₁ min.		t₂
GG	NI	AL	Thread Type D / Type E		Bore Type B / Type C							Type B, C, D, E	Type B, C, D, E	
32 1.26	32 1.26	-	M 6	-	B 6	-	12 0.47	20 0.79	9 0.35	21 0.83	10 0.39	12 0.47	12 0.47	10 0.39
40 1.57	40 1.57	40 1.57	M 8	-	B 8	-	14 0.55	25 0.98	12 0.47	26 1.02	13 0.51	15 0.59	15 0.59	13 0.51
50 1.97	50 1.97	50 1.97	M 8	M 10	B 8	B 10	18 0.71	32 1.26	15 0.59	34 1.34	17 0.67	18 0.71	18 0.71	16 0.63
63 2.48	63 2.48	63 2.48	M 10	-	-	-	20 0.79	40 1.57	19 0.75	42 1.65	21 0.83	22 0.87	18 0.71	20 0.79
63 2.48	63 2.48	63 2.48	M 12	-	B 10	B 12	20 0.79	40 1.57	19 0.75	42 1.65	21 0.83	22 0.87	22 0.87	20 0.79
80 3.15	-	80 3.15	M 12	M 16	B 12	B 16	25 0.98	50 1.97	23 0.91	52 2.05	25 0.98	28 1.10	-	20 0.79

1.1
1.2
1.3
1.4
2.1
2.2
2.3
2.4

