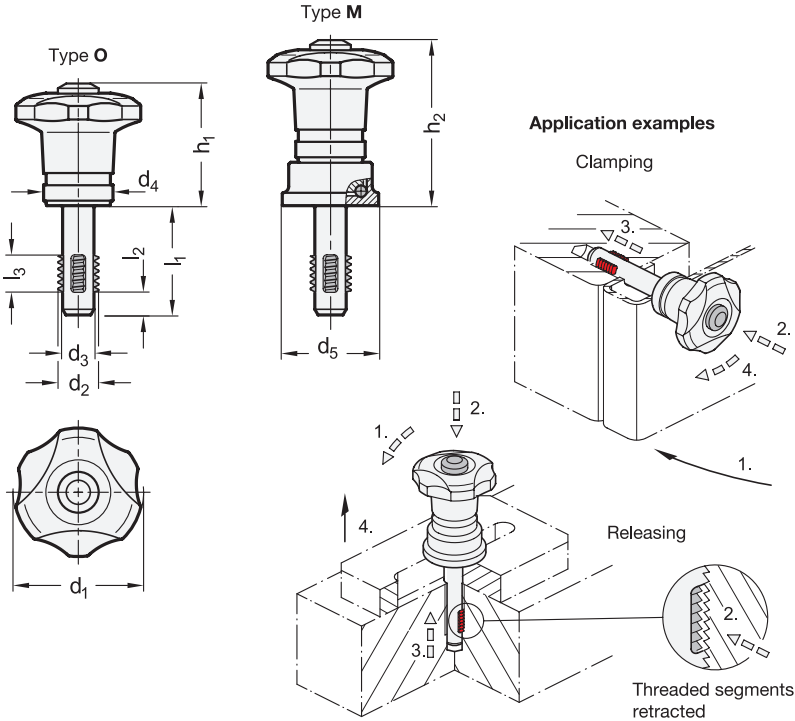


1.1
1.2
1.3
1.4
2.1
2.2
2.3
2.4



Metric



SS Stainless Steel

4 Type

- O** Without increased clamping force
- M** With increased clamping force

Metric table

													Dimensions in: millimeters / inches	
1 d_{1-1}	2 d_2	3 $l_1 \approx$			$d_3 -0.07$	d_4	d_5	$h_1 \approx$	$h_2 \approx$	l_2	l_3	Max. tightening torque in Nm	Max. clamping force	
												Type O	Type M	
40 1.57	M 8	24 0.94	34 1.34	44 1.73	6.6 0.261	21.6 0.85	30 1.18	37.5 1.48	51.5 2.03	5.8 0.23	8 0.31	5	3.3 kN 742 lbf	4.8 kN 1079 lbf
40 1.57	M 10	26 1.02	36 1.42	46 1.81	8.4 0.329	21.6 0.85	30 1.18	37.5 1.48	51.5 2.03	6 0.24	10 0.39	5	2.9 kN 652 lbf	4.2 kN 944 lbf
40 1.57	M 12	34 1.34	49 1.93	69 2.72	10.1 0.396	21.6 0.85	30 1.18	37.5 1.48	51.5 2.03	7 0.28	12 0.47	5	2.5 kN 562 lbf	3.7 kN 832 lbf

Specification

Pin	Steel, manganese phosphated	S
	Stainless steel AISI 303 / AISI 630	N
Knob	Plastic, polyamide (PA)	
	• Operating temperature	
	-22 °F to +176 °F (-30 °C to +80 °C)	
	• Black	
Push button	Aluminum, red anodized finish	
Threaded segments	Stainless steel AISI 630, precipitation-hardened	
Axial bearing (Type M)	• Steel, nitrided, blackened finish (for S)	
	• Stainless steel AISI 630, hardened (for N)	
Spring	Stainless steel	
	RoHS	

Quick release star knobs GN 6336.9 are used for quick and easy clamping and fastening.

Pressing the push button retracts the threaded segments, allowing the star knob to be inserted into a threaded hole. After releasing the push button in this position, the star knob can be tightened in less than a single turn. The connection is released in the reverse order.

To ensure a fully secure connection, the locating thread must be true to gauge and the threaded segments must be firmly engaged.

see also...	Page
GN 6303.1 Quick Release Knurled Nuts	QVX
GN 6336.3 Quick Release Star Knobs (with Steel Hub)	QVX

Technical Information

Plastic Characteristics	QVX
Stainless Steel Characteristics	QVX

How to order	1 Diameter d_1
	2 Thread d_2
	3 Length l_1
	4 Type
	5 Material

GN 6336.9-40-M10-26-O-S