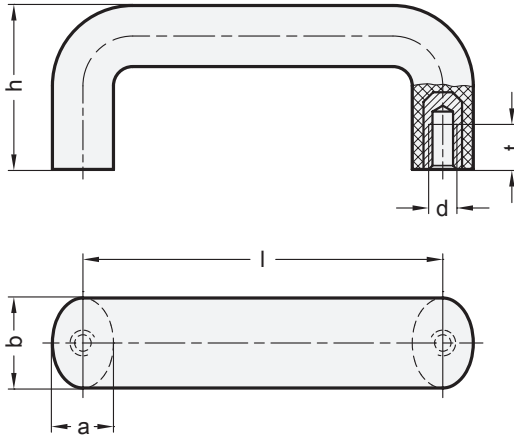


Inch | Metric



**elesa**  
Original design M.843

Inch table

Length l	d	a	b	h	t min.
3.39 ±0.02* 86 ±0.5	1/4 x 20	0.67 17	1.02 26	1.83 46.5	0.47 12
4.61 ±0.02* 117 ±0.5	5/16 x 18	0.79 20	1.18 30	2.09 53	0.51 13
7.05 ±0.04* 179 ±1.0	5/16 x 18	0.79 20	1.18 30	2.44 62	0.51 13

Dimensions in: inches / millimeters

\* Inch sizes are only available in color SW

Metric table

Length l	d	a	b	h	t min.
86 ±0.5 3.39 ±0.02	M 6	17 0.67	26 1.02	46.5 1.83	12 0.47
117 ±0.5 4.61 ±0.02	M 8	20 0.79	30 1.18	53 2.09	13 0.51
179 ±1.0 7.05 ±0.04	M 8	20 0.79	30 1.18	62 2.44	13 0.51
300 ±1.0 11.81 ±0.04	M 8	22 0.87	32 1.26	64 2.52	13 0.51

Dimensions in: millimeters / inches

Specification

Handle

Plastic, Polyamide (PA)

- Operating temperature -4 °F to +230 °F (-20 °C to +110 °C)

• Color

- Black, RAL 9005, shiny finish
- Orange, RAL 2004, shiny finish
- Red, RAL 3000, shiny finish
- Yellow, RAL 1021, shiny finish
- Gray, RAL 7040, shiny finish
- Blue, RAL 5024, shiny finish
- Green, RAL 6017, shiny finish
- White, RAL 9002, shiny finish

- **SW**
- **OR**
- **RT**
- **GB**
- **GR**
- **BL**
- **GN**
- **WS**

Tapped inserts

- Brass
- Stainless steel (for WS)

RoHS

On request

- Various inch and metric size fasteners and kit packaging

Cabinet U-handles EN 625 have an ergonomic design and aesthetically appealing shiny finish.

see also...

	Page
EN 525 Cabinet U-Handles (Plastic, Phenolic Resin)	QVX
GN 565 Cabinet U-Handles (Aluminum)	QVX
EN 725 Cabinet U-Handles (Polypropylene)	QVX

Technical Information

Strength Values	QVX
Plastic Characteristics	QVX

How to order (Inch)

EN 625-86-1/4X20-SW

- 1 Length l
- 2 Thread d
- 3 Color

How to order (Metric)

EN 625-117-M8-RT

- 1 Length l
- 2 Thread d
- 3 Color

1.1  
1.2  
1.3  
1.4  
2.1  
2.2  
2.3  
2.4

