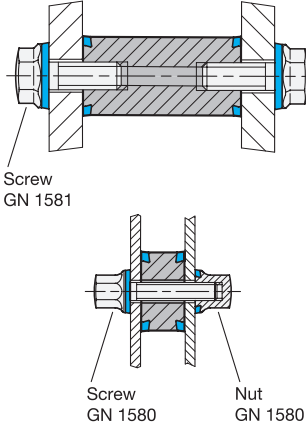
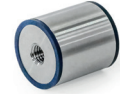


**Application examples**



Metric



**3 Type**

- A1** Through hole
- A2** Through hole with continuous thread
- A3** Through hole with thread on both sides

**Metric table**

d <sub>1</sub>	1 Length l ±0.1			Type A2	2 Length l ±0.2		d <sub>2</sub> Through hole for screw	d <sub>3</sub> Thread	d <sub>4</sub>	d <sub>5</sub>	t min.
	Type A1				Type A3						
22 0.87	10 0.394	12 0.472	16 0.630	20 0.787	30 1.181	50 1.969	M 5	M 6	18 0.71	22.8 0.90	12 0.47
28 1.10	12 0.472	16 0.630	20 0.787	30 1.181	50 1.969	75 2.953	M 6	M 8	24 0.94	28.8 1.13	16 0.63
34 1.34	12 0.472	16 0.630	20 0.787	30 1.181	50 1.969	100 3.937	M 8	M 10	30 1.18	34.8 1.37	20 0.79

Dimensions in: millimeters / inches

**Specification**

**Spacers**

Stainless steel AISI 316L  
Matte finish (Ra < 0.8 µm)

**MT**

**Sealing ring**

- H-NBR  
Operating temperature  
-13 °F to +302 °F (-25 °C to +150 °C)
- EPDM  
Operating temperature  
-40 °F to +248 °F (-40 °C to +120 °C)
- FKM  
Operating temperature  
+23 °F to +392 °F (-5 °C to +200 °C)
- FDA compliant material
- Blue
- Hardness 85 ±5 Shore A

RoHS

**Technical Information**

Product Family Hygienic Design	QVX
Plastic Characteristics	QVX
Stainless Steel Characteristics	QVX

**Accessory**

GN 7600 Sealing Rings	QVX
-----------------------	-----

Spacers GN 6226 are intended for use in hygienic areas. The versions with sealing ring H und E comply additionally according to the guidelines of the EHEDG and DGUV Test guidelines. The sealed mounting surfaces enable fastening without dead spaces. The high quality finish prevents adherence of dirt and facilitates cleaning.

Spacers are used to fasten parts at an offset parallel to their plane of installation. This avoids doubling up on surfaces and leaves space for cleaning. The internal thread can alternatively be used as a through hole by a screw with a smaller thread.

**see also...**

	Page
GN 1580 Hex Head Screws (Hygienic Design)	QVX
GN 1580 Nuts (Hygienic Design)	QVX
GN 1581 Hex Head Screws (Low-Profile Head, Hygienic Design)	QVX
GN 1582 Hex Head Screws (with Recessed Stud for Loss Protection, Hygienic Design)	QVX

**How to order**

1	Outer diameter d <sub>1</sub>
2	Length l
3	Type
4	Finish
5	Sealing ring material

**GN 6226-28-75-A3-MT-H**

3.1  
3.2  
3.3  
3.4  
3.5  
3.6  
3.7  
3.8  
3.9  
3.10