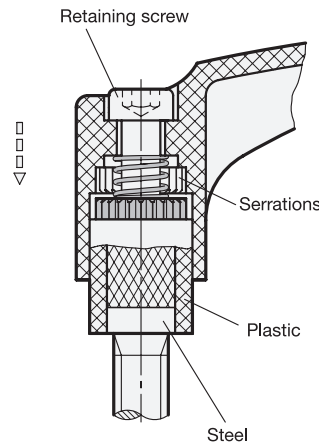
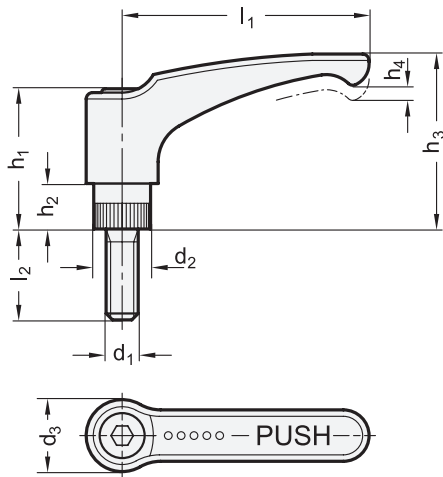


# EN 604.2 Safety Adjustable Levers

Technopolymer Plastic, Threaded Stud Type, with Steel Components, Ergostyle®



## Metric table

Dimensions in: millimeters - inches

1	2	3								
$l_1$	$d_1$	$l_2$		$d_2$	$d_3$	$h_1$	$h_2$	$h_3$	$h_4$	Stroke
44 1.73	M 6	16 0.63	25 0.98	12 0.47	15.5 0.61	29 1.14	9 0.35	36 1.42	3.5 0.14	
63 2.48	M 8	20 0.79	30 1.18	15 0.59	19 0.75	37 1.46	12 0.47	48 1.89	4 0.16	

## Specification

- Lever body  
Plastic  
Technopolymer (Polyamide PA)  
- Glass fiber reinforced  
- Temperature resistant up to 266 °F (130 °C)  
- Black-gray, RAL 7021, matte finish ● SG
- Threaded stud / retaining screw  
Steel, blackened finish
- Plastic Characteristics → page 2135
- RoHS compliant

## Information

EN 604.2 safety adjustable levers like all the products of the Ergostyle® product family are renowned for their good style and also their ergonomical shape. The gently arched handle with a reinforced end of the lever gives the operator a good grip.

These safety adjustable levers are used where the inadvertent loosening or readjustment can result in accidents.

If not operated, the lever is not linked to the tapped insert, i.e. the adjustable lever turns freely.

As soon as the lever hub is pushed down, both serrations will engage, allowing the fixture to be released or clamped.

After "releasing", the connection disengages through spring tension.

see also...

- Product Family Ergostyle® → page 18
- Safety Adjustable Levers GN 312 → page 537
- Safety Lobed Knobs GN 5337.3 → page 613

### How to order

1 2 3 4  
**EN 604.2-44-M6-25-SG**

1	Lever length $l_1$
2	Thread $d_1$
3	Thread length $l_2$
4	Color