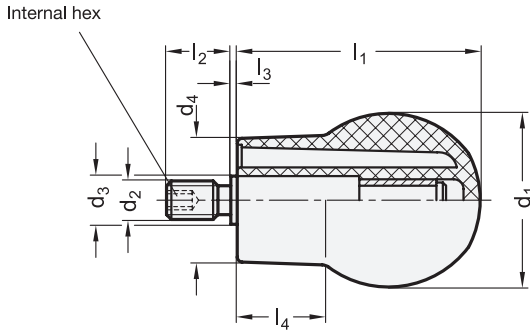


Metric



elesa
Original design EBS+x



Metric table

1	2	Dimensions in: millimeters / inches					
d₁	d₂	d₃	d₄ +0.5	l₁	l₂	l₃ ≈	l₄ ≈
45 1.77	M 10	12 0.47	32 1.26	64 2.52	17 0.67	1 0.04	22 0.87

Specification

Handle

Plastic, Polypropylene (PP)

- Operating temperature up to 175 °F (80 °C)
- Black, matte finish

Threaded spindle

Steel, zinc plated, blue passivated finish

RoHS

Revolving ball knobs EN 596 are used in applications that require friction-free turning action, such as vertically positioned handwheels or cranked handles.

see also...

	Page
GN 319.2 Revolving Ball Knobs	QVX

Technical Information

Product Family Ergostyle®	QVX
Plastic Characteristics	QVX
Stainless Steel Characteristics	QVX

How to order

EN 596-45-M10

- | | |
|----------|------------------------------------|
| 1 | Ball diameter d₁ |
| 2 | Thread d₂ |

1.1
1.2
1.3
1.4
2.1
2.2
2.3
2.4

