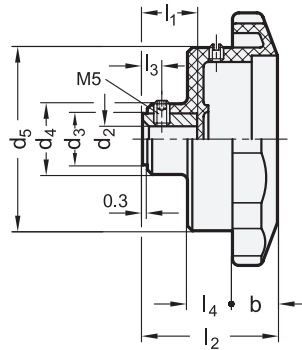
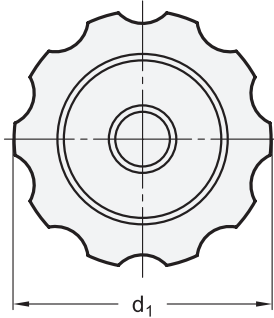


Metric



elesa
ELESA original design VHT. GXX

SS Stainless Steel

Metric table

| d ₁ | d ₂ H7 Bore | d ₃ | d ₄ | d ₅ | b | l ₁ | l ₂ | l ₃ | l ₄ | For position indicators | |
|----------------|---------------------------|----------------|----------------|----------------|--------------|----------------|----------------|----------------|----------------|-------------------------|------------------|
| | | | | | | | | | | EN 000.8 Size | EN 000.3 Size |
| 85 3.35 | B 10 | 18 0.71 | 24 0.94 | 58 2.28 | 17.5 0.69 | 17.5 0.69 | 51 2.01 | 6 0.24 | 18 0.71 | 42 1.65 | - |
| 110 4.33 | B 12 | 22 0.87 | 28 1.10 | 77 3.03 | 20 0.79 | 22 0.87 | 58 2.28 | 6 0.24 | 18 0.71 | 60 2.36 | 60 2.36 |

Dimensions in: millimeters / inches

Specification

Body

- Plastic, Polyamide (PA)
- Glass fiber reinforced
- Operating temperature 32 °F to 212 °F (0 °C to +100 °C)
- Black, matte finish

Bushing

- Steel, blackened finish
- Stainless steel AISI 303

3

NI

Set screw

Steel / Stainless steel

RoHS

On request

- Other modifications such as larger bores, keyways, set screw holes, etc.

These multi-lobed handwheels EN 577.8 have a recess in the hub to accept position indicators EN 000.8 or EN 000.3.

For applications where these handwheels are by choice being used without the position indicators, a hub cap is available to cover the empty recess.

Technical Information

| | |
|--|-----|
| Installation Instructions for EN 577.8 | QVX |
| ISO Fundamental Tolerances | QVX |
| Plastic Characteristics | QVX |
| Stainless Steel Characteristics | QVX |

Accessory

| | |
|--|-----|
| EN 000.8 Position Indicators (Gravity Drive, with Analog Display) | QVX |
| EN 000.3 Position Indicators (Gravity Drive, with Digital / Analog Display) | QVX |
| EN 576 Cover Disks (for Control Knobs / Handwheels without Position Indicator) | QVX |
| GN 826 Control Knob Flanges (for Adjustable Spindles) | QVX |

How to order (Steel bushing)

| | | |
|-------------------------|---|---------------------------------|
| EN 577.8-110-B12 | 1 | Outside diameter d ₁ |
| | 2 | Bore d ₂ |

How to order (Stainless steel bushing)

| | | |
|---------------------------|---|---------------------------------|
| EN 577.8-85-B10-NI | 1 | Outside diameter d ₁ |
| | 2 | Bore d ₂ |
| | 3 | Material |

1.1
1.2
1.3
1.4

2.1
2.2
2.3
2.4





Installation Sequence

1. Install the handwheel to the spindle and fix it with the set screw.
2. Turn the spindle to the starting point (0 position).
3. Move position indicator to the 0 position by turning the outer gear wheel.
4. Install the position indicator into the recess of the hub and fasten it with a set screw.
To avoid deformation of the housing, do not apply unnecessary excessive torque!
5. Check by turning the handwheel to ensure that the starting position of the spindle coincides with the 0 position of the two pointers (EN 000.8) or respectively pointer and counter (EN 000.3). If necessary, take out and readjust the position indicator.